

Z-Line Sloping Shelf Unit

RETAIN INSTRUCTIONS FOR FUTURE REFERENCE



LOAD CAPACITIES PER SHELF LEVEL *	
UNIT SIZE	WT. CAPACITY
36w x 18d	450 lbs.
36w x 24d	450 lbs.
48w x 18d	350 lbs.
48w x 24d	350 lbs.

*Load capacities based on evenly distributed loads
Total unit capacity not to exceed 1,500 lbs.

GENERAL SAFETY INFORMATION

Some parts may have sharp edges. CARE must be taken when handling various pieces to avoid injury. For safety, wear a pair of work gloves when assembling or performing any maintenance on units.

LIMITED WARRANTY

Tennsco warrants goods purchased hereunder to be free of defects in materials and workmanship for a period of one (1) year from the date of shipment, hereunder. This warranty shall not apply in the event goods are damaged as a result of misuse, abuse, neglect, accident, improper application, modification or repair by persons not authorized by Seller, where goods are damaged during shipment, or where the date stamps on the goods have been defaced, modified or removed. UNLESS CONSIDERED UNENFORCEABLE OR UNLAWFUL UNDER APPLICABLE LAW:

- a. ALL IMPLIED WARRANTIES, INCLUDING BUT NOT LIMITED TO WARRANTIES OR MERCHANTABILITY AND FITNESS FOR A PARTICULAR PURPOSE ARE HEREBY EXCLUDED:
- b. BUYERS REMEDY, IF ANY, FOR ANY DEFECTIVE GOODS SHALL BE LIMITED TO A REFUND BY SELLER OR REPLACEMENT OF THE GOODS AT SELLER'S OPTION, AND SHALL IN NO EVENT INCLUDE DAMAGES OF ANY KIND, WHETHER INCIDENTAL, CONSEQUENTIAL OR OTHERWISE.

NO GOODS ACCEPTED FOR RETURN WITHOUT PRIOR APPROVAL. Seller shall have the right to inspect any goods claimed to be defective at Buyers place of business or require Buyer to return the goods to Seller for inspection on Seller's premises. Transportation charges covering returned goods will be borne by Seller only if such goods are proven to be defective, are covered by this warranty and are returned within the warranty period stated above.



PROUDLY MADE IN THE U.S.A.

Tennsco LLC., Dickson, TN 37056-1888 • (866) 446-8686

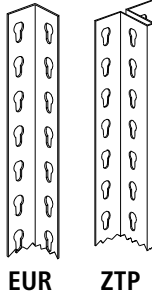
ASSEMBLY OF SLOPING SHELF SHELVING

Tools Needed: A rubber mallet for seating the shelf supports into the uprights.

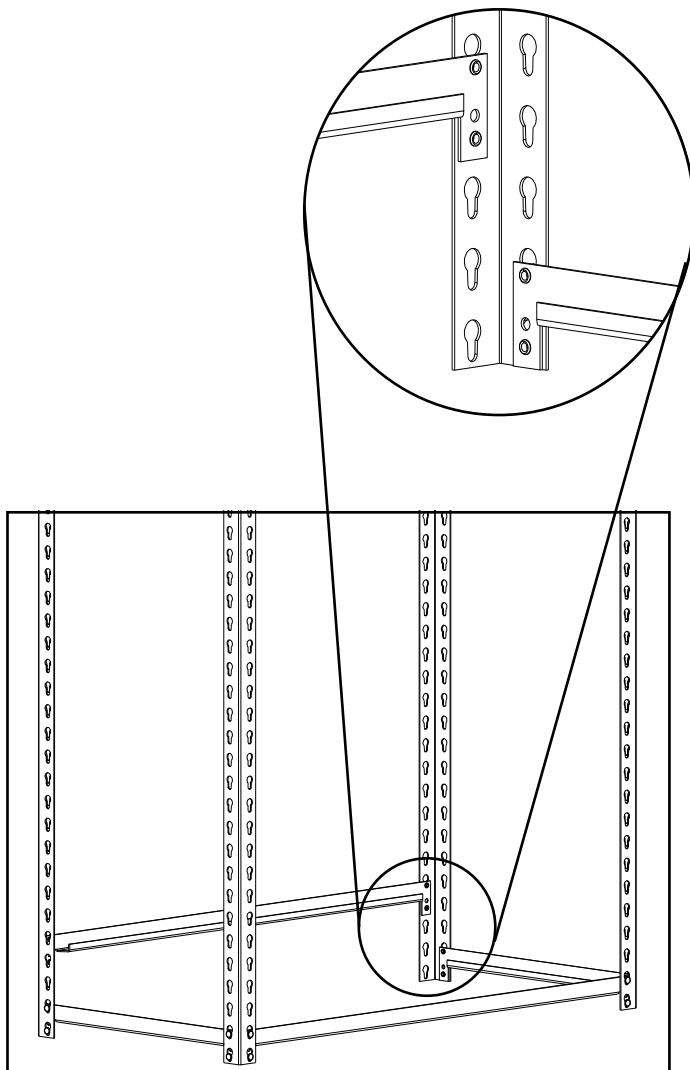
Two people are recommended for assembly. Approximate assembly time: 20-30 minutes per section.

1. The reference numbers used throughout this sheet refer to the illustration on the back cover. This is to help you to identify the various parts as they are mentioned.

2. Depending upon whether you ordered a single unit or an adder unit, you may have one or both of the styles of upright shown. A single unit will use EUR posts for all four uprights, however if you plan on installing an adder unit, you should build your starter unit with two ZTP posts on one end which will join with the adder.

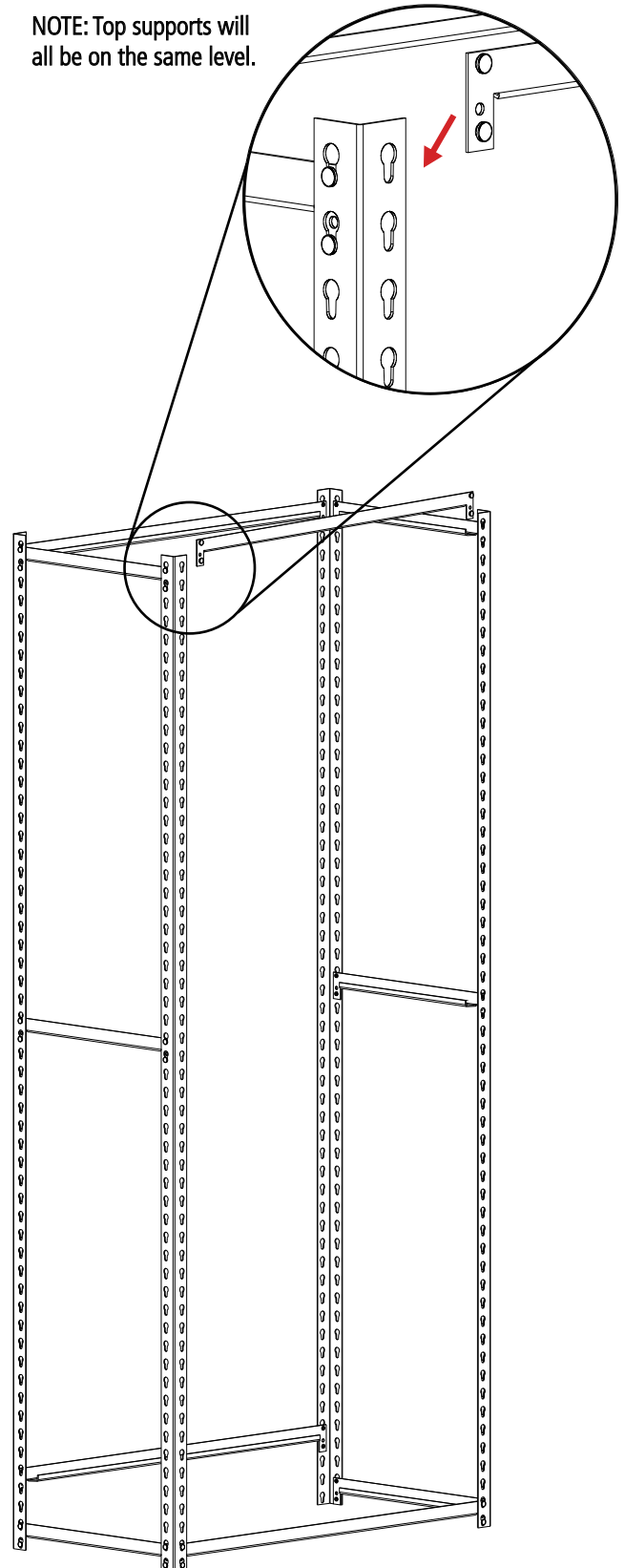


3. Attach the shelf supports (Ref. No. 3) to the uprights (Ref. No. 1 or 2) along the bottom of the unit in the bottom two holes for the sides and the front. The rear support is placed 4 1/2" higher than the front support for the correct angle of the sloping shelf.

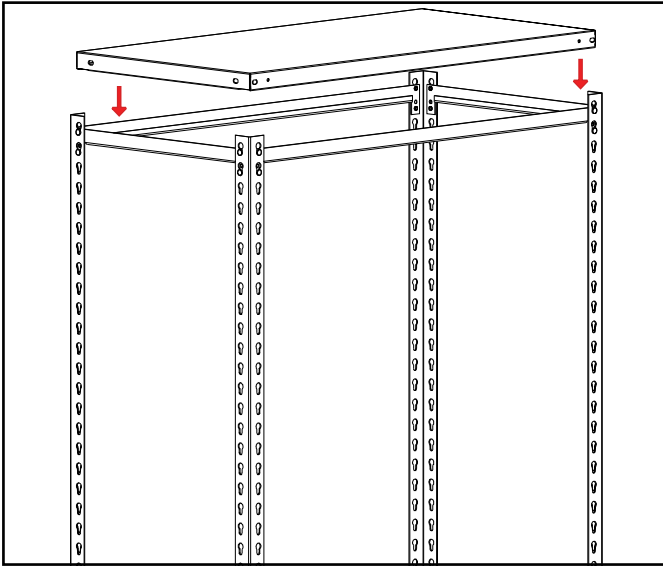


4. Place the rest of the shelf supports along the top. At the midway point, install the front-to-back supports. Be sure all the supports are seated properly into the keyholes.

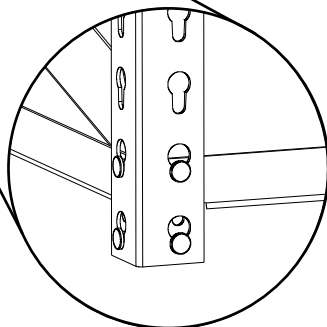
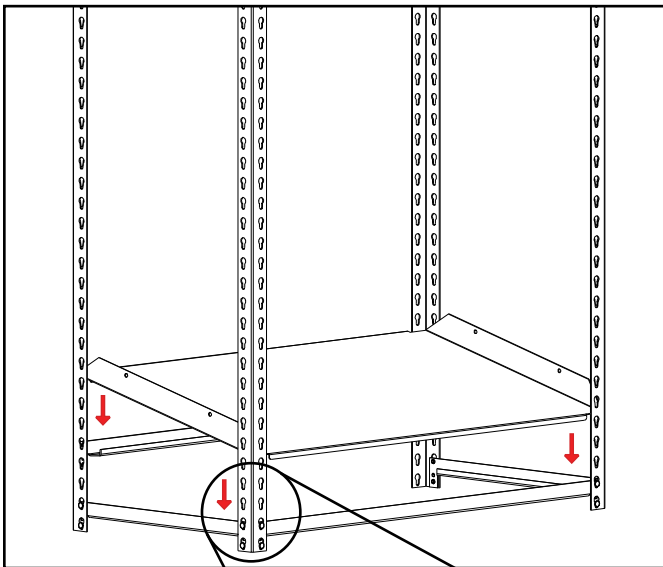
NOTE: Top supports will all be on the same level.



5. Place the steel box formed shelf on the top of the supports for the top level of the unit.

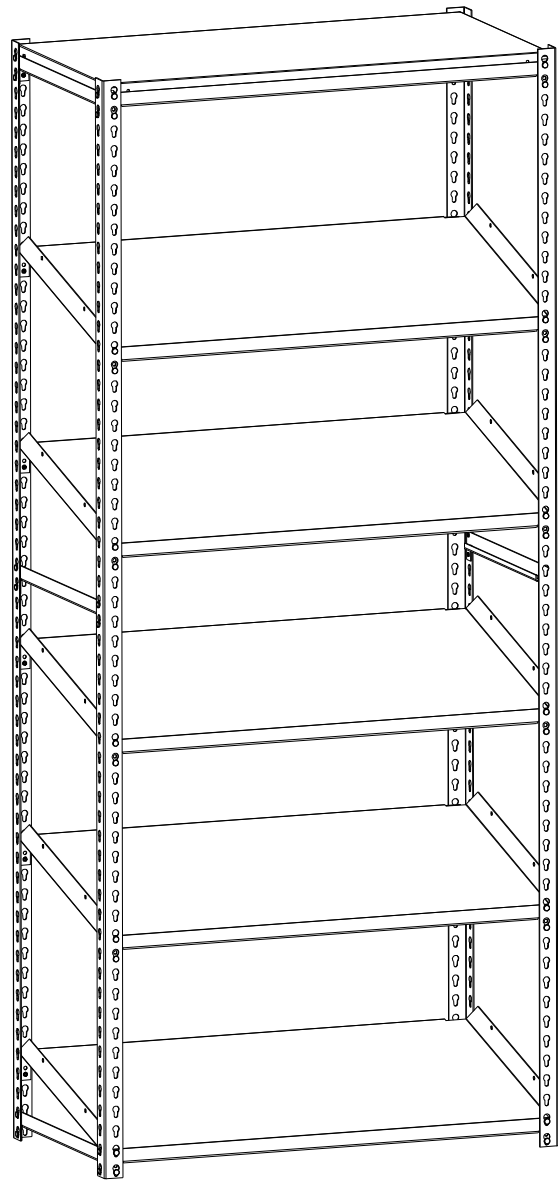


6. Install the lower sloping shelf onto the supports with the large flange placed over the rear support and the small flange resting inside the channel of the front support.



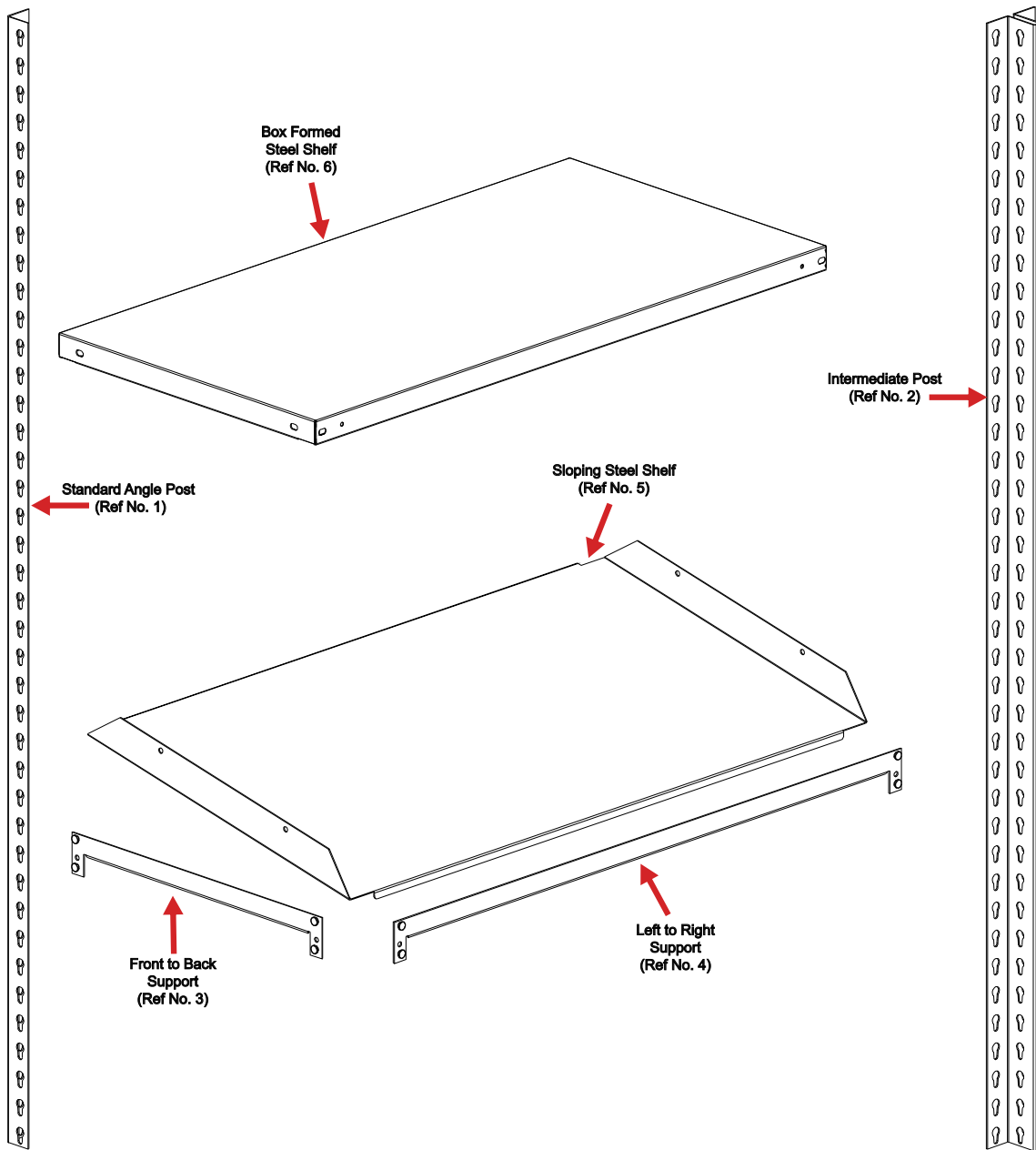
9. Finish installing the remaining supports at the desired distance for each level and install the sloping shelves. Your shelving unit is now ready to use.

NOTE: Make sure the rear support on each level is 4 1/2" higher than the front support.



10. Your shelving unit is now complete and ready for use.

REPLACEMENT PARTS



REF. NO.	DESCRIPTION	QTY.	PART NUMBERS							
			ZT7-3618S-5	ZT7-3618A-5	ZT7-3624S-5	ZT7-3624A-5	ZT7-4818S-5	ZT7-4818A-5	ZT7-4824S-5	ZT7-4824A-5
1	Standard Angle Post	4	EUR-84	--	EUR-84	--	EUR-84	--	EUR-84	--
2	Intermediate "T" Post	2	--	ZTP-84	--	ZTP-84	--	ZTP-84	--	ZTP-84
3	Front to Back Support	6	DRS-1814	DRS-1814	DRS-2414	DRS-2414	DRS-1814	DRS-1814	DRS-2414	DRS-2414
4	Left to Right Support	12	DRS-3614	DRS-3614	DRS-3614	DRS-3614	DRS-4814	DRS-4814	DRS-4814	DRS-4814
5	Sloping Steel Shelf	5	ZSS-3618	ZSS-3618	ZSS-3624	ZSS-3624	ZSS-4818	ZSS-4818	ZSS-4824	ZSS-4824
6	Box Formed Steel Shelf	1	ZMS-3618	ZMS-3618	ZMS-3624	ZMS-3624	ZMS-4818	ZMS-4818	ZMS-4824	ZMS-4824

.....

Tennsco makes every effort to ensure that all units ship complete with all parts and arrive undamaged. However, should your unit contain missing or damaged parts, please contact your purchase location.

.....