

## L&T Hinged Door Kit

RETAIN INSTRUCTIONS FOR FUTURE REFERENCE

---



Hinged Door Kit as purchased



Hinged Door Kit on L&T unit  
(purchased separately)

### GENERAL SAFETY INFORMATION

Some parts may have sharp edges. CARE must be taken when handling various pieces to avoid injury. For safety, wear a pair of work gloves when assembling or performing any maintenance on products.

---

### LIMITED WARRANTY

Tennsco warrants goods purchased hereunder to be free of defects in materials and workmanship for a period of one (1) year from the date of shipment, hereunder. This warranty shall not apply in the event goods are damaged as a result of misuse, abuse, neglect, accident, improper application, modification or repair by persons not authorized by Seller, where goods are damaged during shipment, or where the date stamps on the goods have been defaced, modified or removed. UNLESS CONSIDERED UNENFORCEABLE OR UNLAWFUL UNDER APPLICABLE LAW:

- a. ALL IMPLIED WARRANTIES, INCLUDING BUT NOT LIMITED TO WARRANTIES OR MERCHANTABILITY AND FITNESS FOR A PARTICULAR PURPOSE ARE HEREBY EXCLUDED:
- b. BUYERS REMEDY, IF ANY, FOR ANY DEFECTIVE GOODS SHALL BE LIMITED TO A REFUND BY SELLER OR REPLACEMENT OF THE GOODS AT SELLER'S OPTION, AND SHALL IN NO EVENT INCLUDE DAMAGES OF ANY KIND, WHETHER INCIDENTAL, CONSEQUENTIAL OR OTHERWISE.

NO GOODS ACCEPTED FOR RETURN WITHOUT PRIOR APPROVAL. Seller shall have the right to inspect any goods claimed to be defective at Buyers place of business or require Buyer to return the goods to Seller for inspection on Seller's premises. Transportation charges covering returned goods will be borne by Seller only if such goods are proven to be defective, are covered by this warranty and are returned within the warranty period stated above.

---



**PROUDLY MADE IN THE U.S.A.**

Tennsco LLC, Dickson, TN 37056-1888 • (866) 446-8686

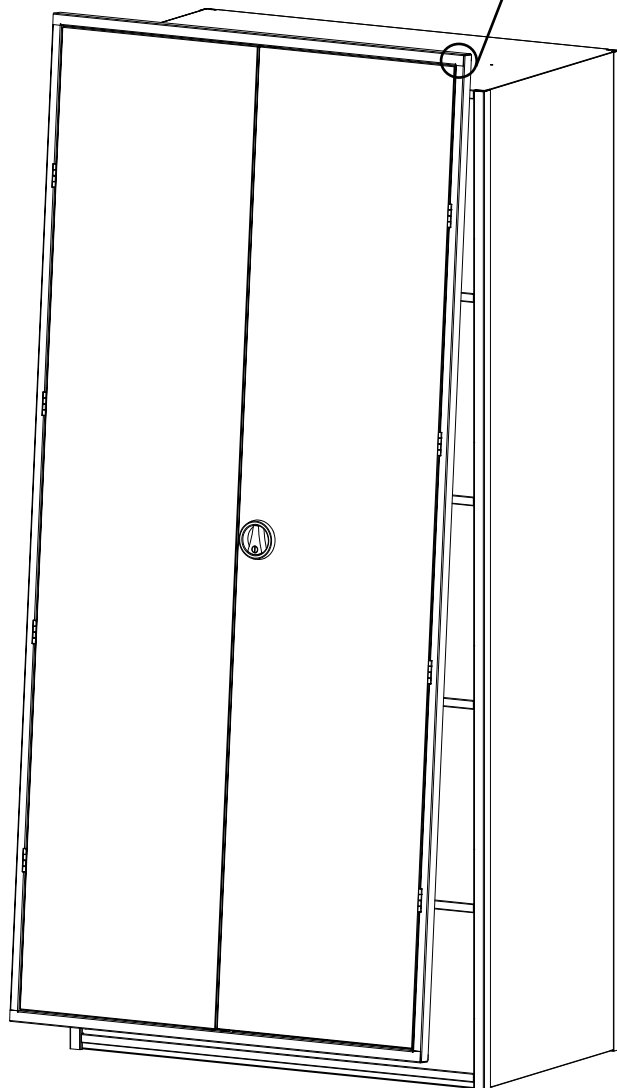
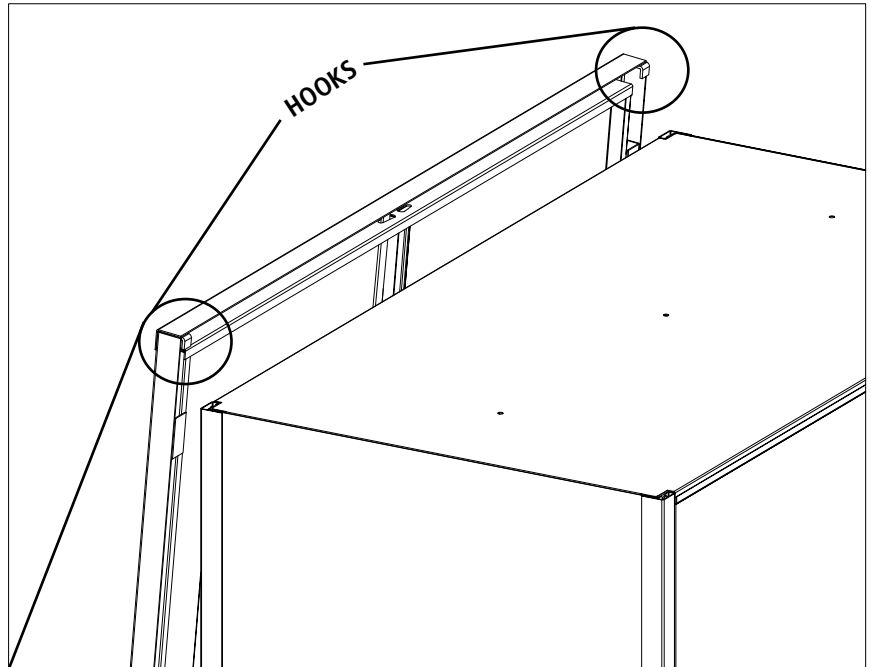
# ASSEMBLY OF L&T HINGED DOOR KIT

## Tools Needed:

Two people are recommended for assembly. Approximate assembly time: 20-30 minutes.

---

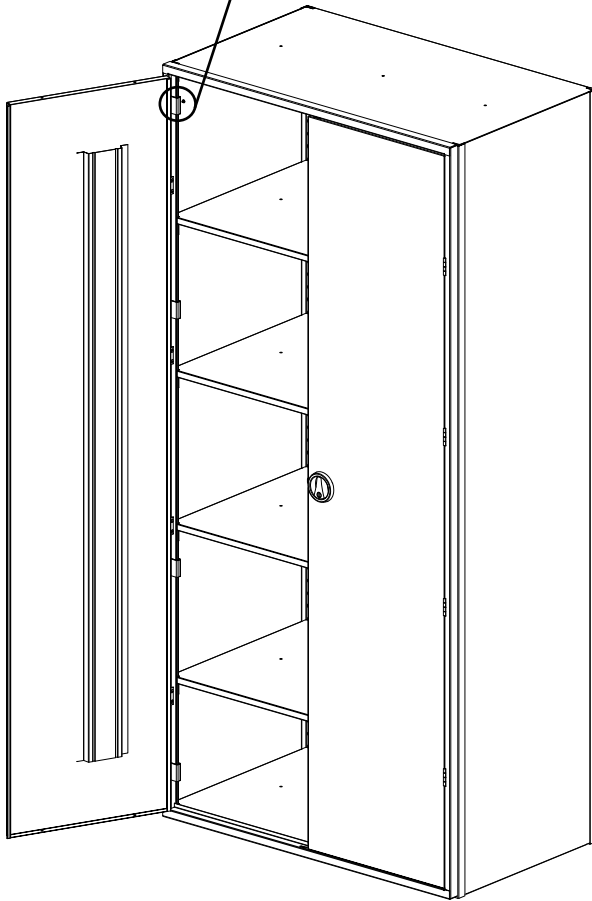
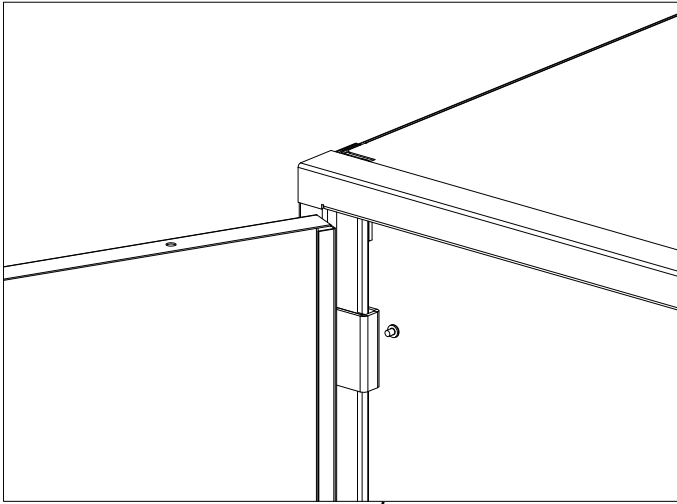
1. The reference numbers used throughout this sheet refer to the illustration on the back cover. This is to help you to identify the various parts as they are mentioned.



2. For standard installation, lift the door frame assembly, tilting upper edge toward the unit to enable the hooks to insert in the top of the post. When the hooks are in place, lower the door front against the front of the unit. Line up door frame and cabinet frame.

**NOTE: 1" and 2" Door Frames are installed the same way.**

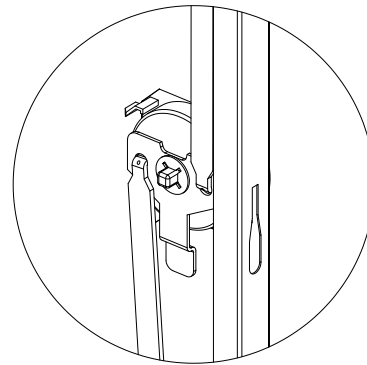
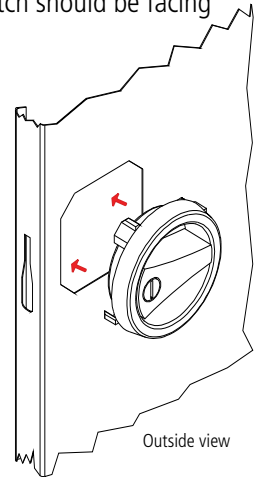
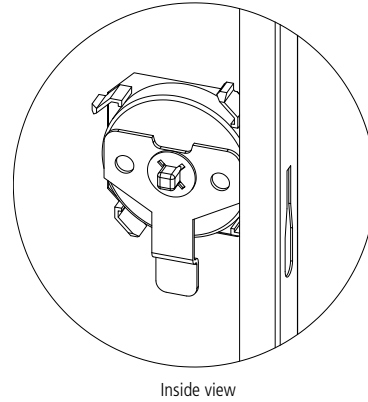
- Secure the left side of the door frame to post by pressing steel clips over edge of post and angles on door frame. Install three clips: top, middle, and bottom. Tighten screws in clips to securely fasten frame to shelving unit. Repeat this procedure to secure the right side of the door frame.



- Make sure the cabinet is level so the doors will operate properly. You are now ready to install the locking handle and lock bars to the door.

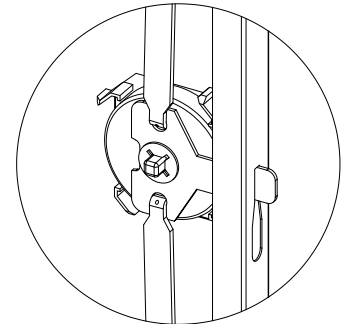
## Handle/Locking System Installation

- Place the locking handle (Ref. No. 4) on the right hand door and push it until it snaps into place. Then turn the handle to the open position. The latch should be facing downward as shown.

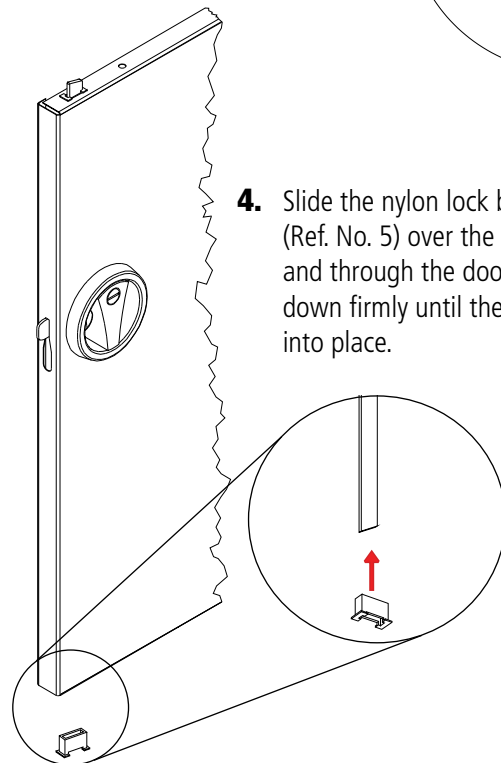


- With the handle still in the open position, hook the locking bars (Ref. No. 3) to the locking cam on the back of the recessed handle.

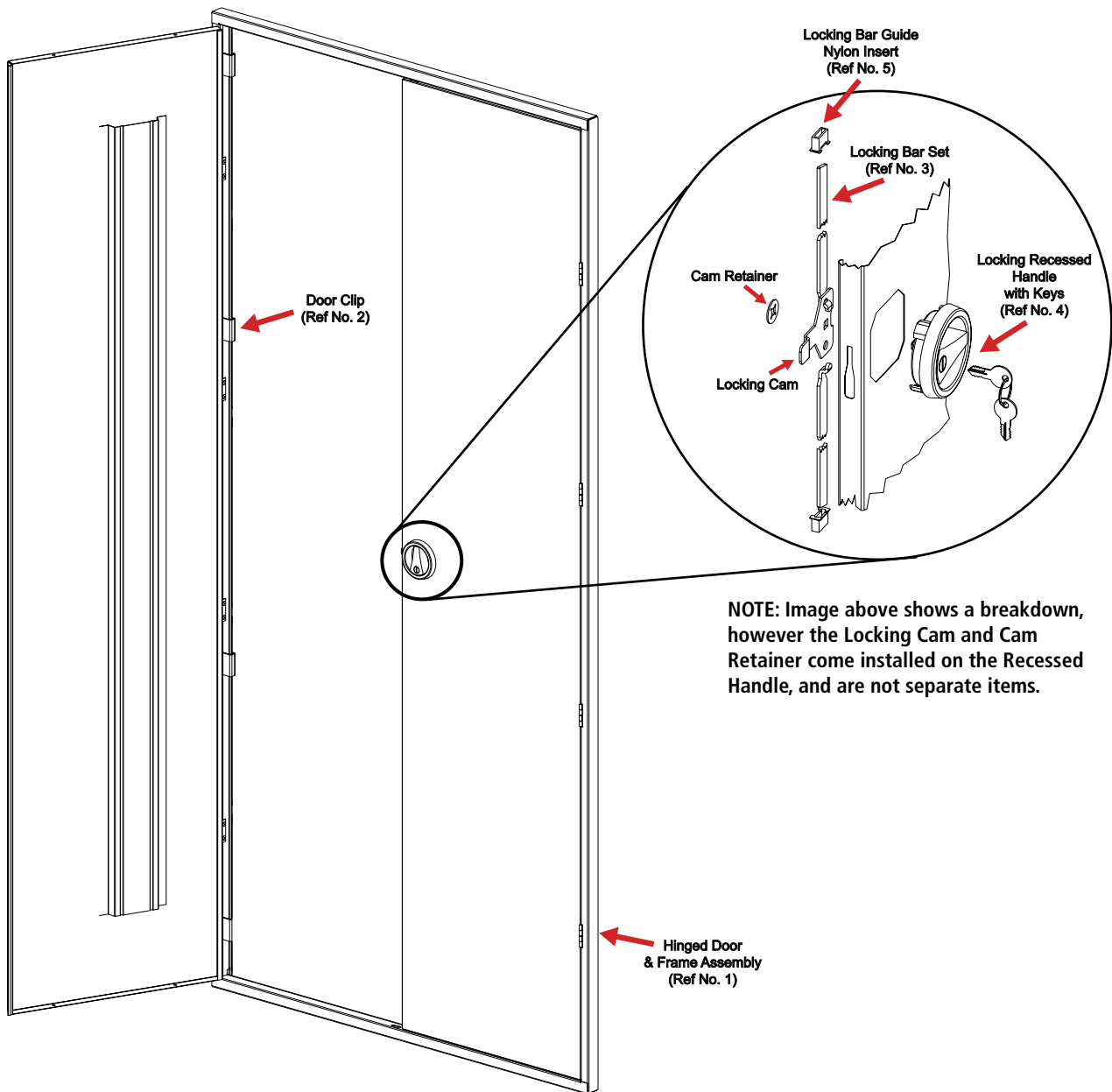
- Slowly rotate the door handle to the closed position so the lock bars protrude from the holes at the top and bottom of the door (shown below).



- Slide the nylon lock bar guide inserts (Ref. No. 5) over the lock bar ends and through the door slots. Push down firmly until the guides snap into place.



# REPLACEMENT PARTS



REF. NO.	DESCRIPTION	PART NO.	QTY.
1	1" Depth Hinged Door Kit OR 2" Depth Hinged Door Kit	*LTHD-wwhhRH *LTHD-wwhhRHD	1 1
2	Clip for L&T Hinged Door	LTHD-CLIP	1
3	Locking Bar Set	**LTHD-hhLB	1
4	Locking Recessed Handle w/Keys	RH-1	1
5	Locking Bar Guide Insert (Nylon)	944GI	2

\*LTHD-wwhh, where "-wwhh" indicates the width and height of the unit. Example: an LTHD-4876RH fits on a 48" w x 76" h L&T unit.

\*\*LTHD-hhLB, where "-hh" indicates the height of the unit. Example: an LTHD-76LB fits on a 76" h L&T Hinged Door.

NOTE: Additional hardware may be included for replacement purposes.

Tennsco makes every effort to ensure that all units ship complete with all parts and arrive undamaged. However, should your unit contain missing or damaged parts, please contact your purchase location.