

ASSEMBLY INSTRUCTIONS & PARTS MANUAL



Modular Workbench with Hardwood Butcher Block Top

RETAIN INSTRUCTIONS FOR FUTURE REFERENCE



LOAD CAPACITIES FOR BUTCHER BLOCK TOP	
UNIT SIZE	WT. CAPACITY
48w x 30d	4000 lbs.
60w x 30d	3800 lbs.
72w x 30d	3600 lbs.
96w x 30d	4000 lbs.
60w x 36d	3800 lbs.
72w x 36d	3600 lbs.
96w x 36d	4000 lbs.

The following instructions also can be used if a Plastic Laminate top or Compressed Wood top was purchased.

LOAD CAPACITIES FOR PLASTIC LAMINATE TOP	
UNIT SIZE	WT. CAPACITY
48w x 30d	1200 lbs.
60w x 30d	800 lbs.
72w x 30d	750 lbs.
96w x 30d	1200 lbs.
60w x 36d	800 lbs.
72w x 36d	750 lbs.
96w x 36d	1200 lbs.

LOAD CAPACITIES FOR COMPRESSED WOOD TOP	
UNIT SIZE	WT. CAPACITY
48w x 30d	2400 lbs.
60w x 30d	1900 lbs.
72w x 30d	1500 lbs.
96w x 30d	2400 lbs.
60w x 36d	1900 lbs.
72w x 36d	1500 lbs.
96w x 36d	2400 lbs.



NOTE: Additional accessories shown above are sold separately.

GENERAL SAFETY INFORMATION

Some parts may have sharp edges. CARE must be taken when handling various pieces to avoid injury. For safety, wear a pair of work gloves when assembling or performing any maintenance on units.

LIMITED WARRANTY

Tennsco warrants goods purchased hereunder to be free of defects in materials and workmanship for a period of one (1) year from the date of shipment, hereunder. This warranty shall not apply in the event goods are damaged as a result of misuse, abuse, neglect, accident, improper application, modification or repair by persons not authorized by Seller, where goods are damaged during shipment, or where the date stamps on the goods have been defaced, modified or removed. UNLESS CONSIDERED UNENFORCEABLE OR UNLAWFUL UNDER APPLICABLE LAW:

- a. ALL IMPLIED WARRANTIES, INCLUDING BUT NOT LIMITED TO WARRANTIES OR MERCHANTABILITY AND FITNESS FOR A PARTICULAR PURPOSE ARE HEREBY EXCLUDED:
- b. BUYERS REMEDY, IF ANY, FOR ANY DEFECTIVE GOODS SHALL BE LIMITED TO A REFUND BY SELLER OR REPLACEMENT OF THE GOODS AT SELLER'S OPTION, AND SHALL IN NO EVENT INCLUDE DAMAGES OF ANY KIND, WHETHER INCIDENTAL, CONSEQUENTIAL OR OTHERWISE.

NO GOODS ACCEPTED FOR RETURN WITHOUT PRIOR APPROVAL. Seller shall have the right to inspect any goods claimed to be defective at Buyers place of business or require Buyer to return the goods to Seller for inspection on Seller's premises. Transportation charges covering returned goods will be borne by Seller only if such goods are proven to be defective, are covered by this warranty and are returned within the warranty period stated above.



PROUDLY MADE IN THE U.S.A.

Tennsco LLC., Dickson, TN 37056-1888 • (866) 446-8686

ASSEMBLY OF MODULAR WORKBENCH

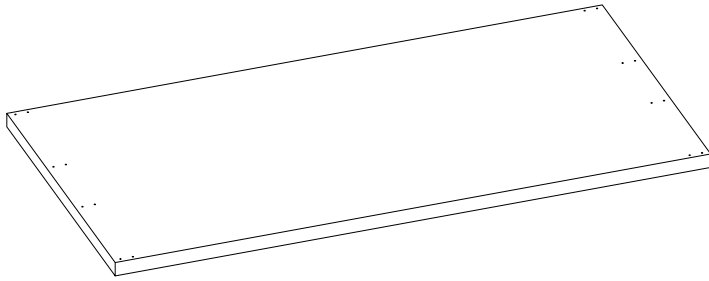
Two people are recommended for assembly. Approximate assembly time: 35-40 minutes.

Tools required: slotted screwdriver, Philips screwdriver, and $\frac{7}{16}$ " wrench or nut driver.

The reference numbers used throughout this sheet refer to the illustration on the back cover.

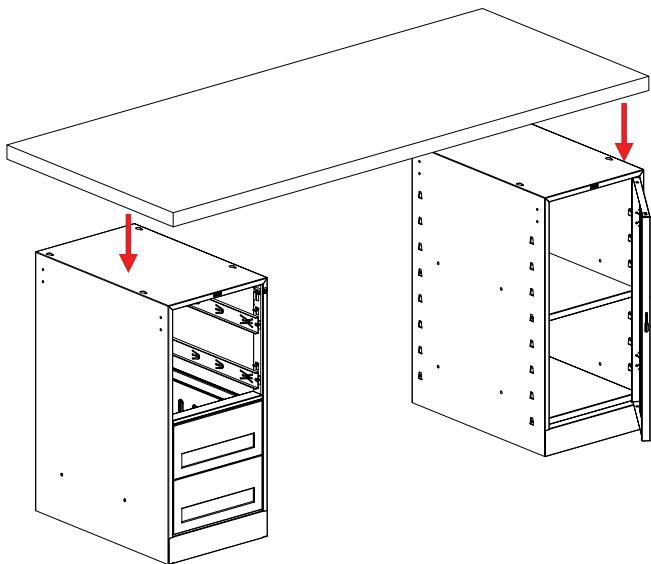
This is to help you to identify the various parts as they are mentioned.

1. Lay the top (Ref. No. 1) face down on two sawhorses or a protected flat surface with the top side facing down. Partially insert eight #14 x $\frac{3}{4}$ " hex head slotted wood screws into punched holes in the top, leaving approximately $\frac{1}{8}$ " between the top and the screw heads. Use the holes located 6 $\frac{1}{2}$ " from the front and back edges and 13 $\frac{1}{2}$ " apart.

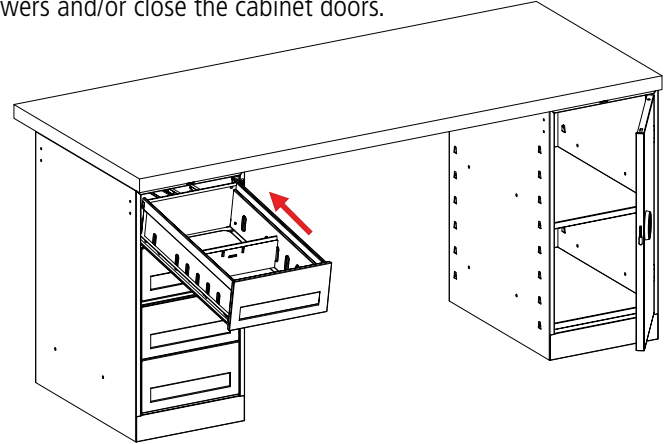


NOTE: Hard Maple Laminate Benchtop Maintenance: Clean when necessary with warm water, soap, or detergent. Wipe dry immediately. Scouring powder, steel wool or sandpaper can be used for stubborn stains and marks. Allow a generous quantity of linseed oil or mineral oil to penetrate all surfaces for five minutes before removing all excess oil. Excessive dryness or humidity can cause cracks or warping. Cracks should be filled with wood filler, sanded smooth and pre-oiled.

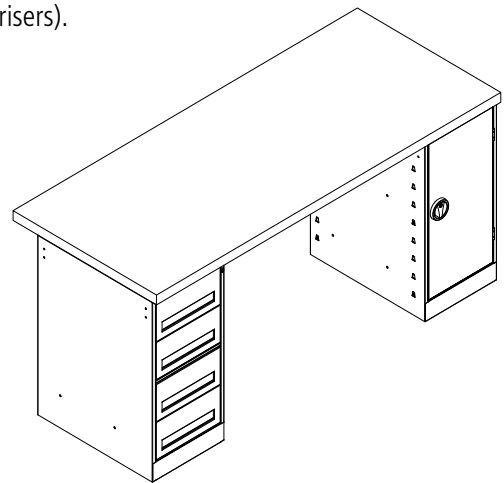
2. Remove the top two drawers and/or open the cabinet door. Place the cabinets squarely 30" apart for the 60" tops or 42" apart for the 72" tops. Set the top assembly on the cabinets with the bolt heads in the key hole slots, then slide forward.



3. Position the top so that the ends of the top are flush with the side of the cabinets, then tighten all the bolts. Replace the drawers and/or close the cabinet doors.

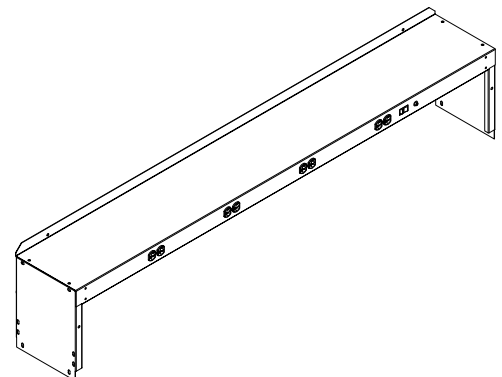


4. If you purchased only the basic modular workbench, your bench is now complete. The remaining instructions show assembly of optional accessories (such as the outlet panel, side and back rails, or risers).



Optional Riser or Electronic Riser

For assembly and installation of a riser or electronic riser, please refer to the instructions which came with the riser kit.

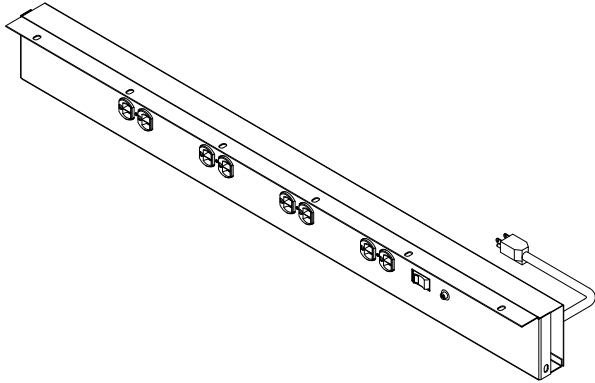


OPTIONAL ACCESSORIES

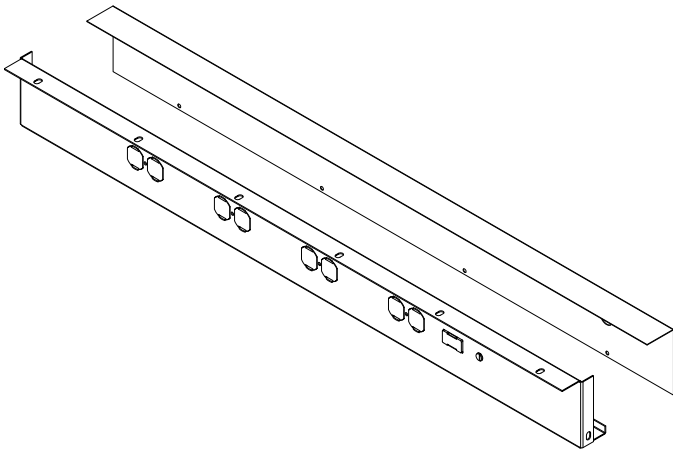
Optional Outlet Panel

1. If optional wiring kit (WK-1) was purchased, install it into outlet panel using the instructions provided with each wiring kit.

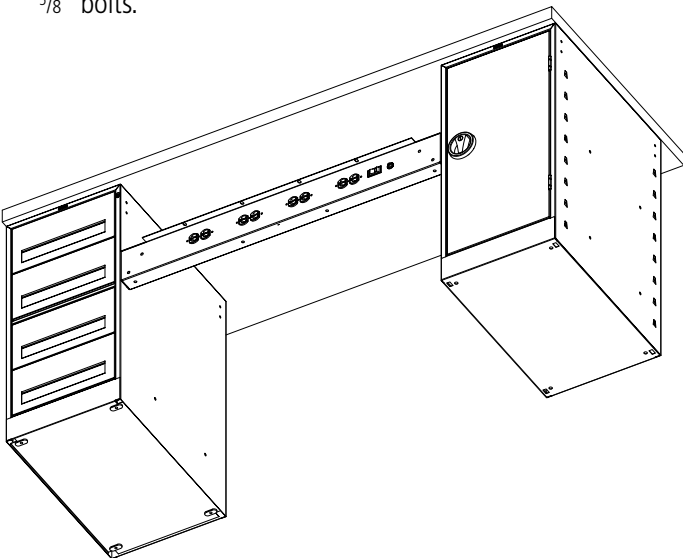
NOTE: Do NOT connect power to the unit until the entire unit is assembled completely.



2. Attach the wireway cover to the outlet panel with four #10 sheet metal screws.



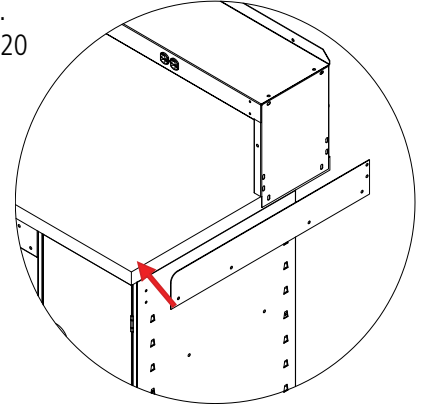
3. Place the outlet panel under the bench top and between the modular units. Position the outlet panel flange flush with the front edge of the top, aligning the holes in the flange with the holes in the top. Secure with six 1/4"-20 x 5/8" bolts.



Optional Side and Back Rails

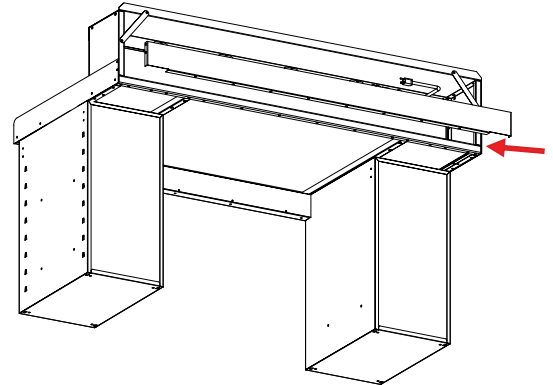
1. If you are installing the optional side and back rails, and are also installing an optional riser, the riser must be in position first. NOTE: The riser and rails share some of the same bolts and nuts. To avoid having to re-do parts of the installation, please refer to the riser instructions as you install the side and back rails.

2. Place a side rail (Ref. No. 17) on one side of the work bench top, making sure that the rounded edge is toward the front of the bench. Attach with four 1/4"-20 x 5/8" bolts and nuts along the bottom edge. Repeat this step for the other side of the workbench.

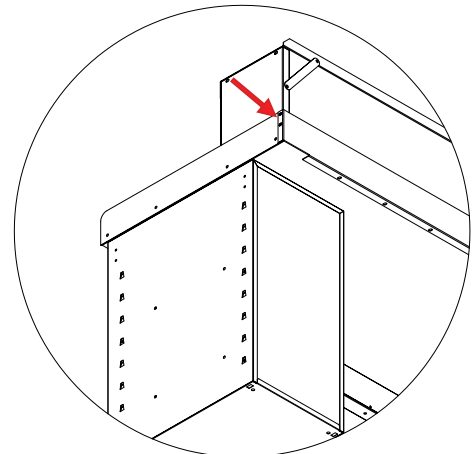


3. Attach the back rail by placing the flange of the rail under the bench top. Attach with eight 1/4"-20 x 5/8" bolts and nuts along the bottom.

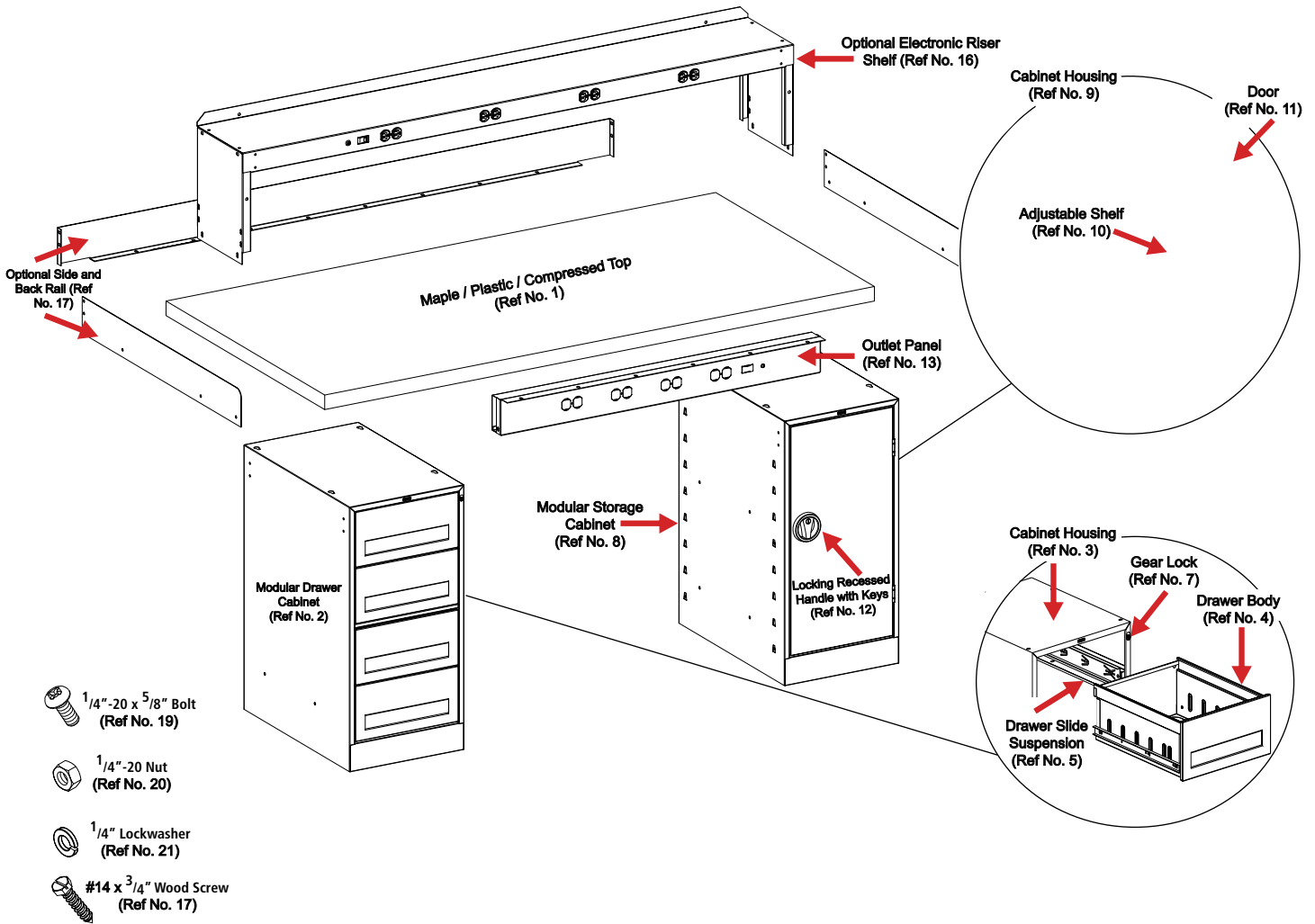
NOTE: Where there is a mounting bracket under the bench, you will first need to remove the bolt from the mounting bracket. The bolt will go through both the back rail and the mounting bracket. No nut will be needed in these locations.



4. Attach the back rail to the side rails, using two 1/4"-20 x 5/8" bolts and nuts on each end.



REPLACEMENT PARTS



REF. NO.	DESCRIPTION	QTY.	PART NUMBERS				
			60" w x 30" d	60" w x 36" d	72" w x 30" d	72" w x 36" d	
1	Solid Maple Top	OR	1	G-MT-3060	G-MT-3660	G-MT-3072	G-MT-3672
	Plastic Laminate Top	OR	1	G-PT-3060	G-PT-3660	G-PT-3072	G-PT-3672
	Compressed Wood Top		1	G-CT-3060	G-CT-3660	G-CT-3072	G-CT-3672
2	Modular Drawer Cabinet	1 or 2	MD-1524	MD-1524	MD-1524	MD-1524	
3	*Cabinet Housing	1	257DH	257DH	257DH	257DH	
4	*Drawer Body	1	257DW	257DW	257DW	257DW	
5	*Drawer Slide Suspension	1	SUSP-22	SUSP-22	SUSP-22	SUSP-22	
6	*Drawer Divider (not shown)	1	WBD-12	WBD-12	WBD-12	WBD-12	
7	*Gear Lock	1	257GL	257GL	257GL	257GL	
8	Modular Storage Cabinet	1 or 2	MS-1524	MS-1524	MS-1524	MS-1524	
9	*Cabinet Housing	1	256CH	256CH	256CH	256CH	
10	*Adjustable Shelf	1	256S	256S	256S	256S	
11	*Door	1	256D	256D	256D	256D	
12	*Locking Handle with Keys	1	RH-1	RH-1	RH-1	RH-1	

REF. NO.	DESCRIPTION	QTY.	PART NUMBERS			
			60" w x 30" d	60" w x 36" d	72" w x 30" d	72" w x 36" d
13	Outlet Panel	1	WOP-42	WOP-42	WOP-42	WOP-42
14	Lower Shelf (not shown)	1	SM-42	SM-42	SM-42	SM-42
15	Standard Riser (not shown)	1	R-1060	R-1060	R-1072	R-1072
16	Electronic Riser	1	RE-1060	RE-1060	RE-1072	RE-1072
17	Side and Back Rail	1	SB-3060	SB-3660	SB-3072	SB-3672
18	Wiring Kit (sold separately)	--	WK-1	WK-1	WK-1	WK-1
19	1/4" - 20 x 5/8" Bolt	--	**	**	**	**
20	1/4" - 20 Nut	--	**	**	**	**
21	1/4" Lockwasher	--	**	**	**	**
22	#14 x 3/4" Hex Head Slotted Wood Screw	--	**	**	**	**

*Included in Ref. No. 2 or 8, Modular Cabinets (Part Nos. MD-1524 and MS-1524).

** Available Locally

NOTE: Additional hardware may be included for replacement purposes.

Tennsco makes every effort to ensure that all units ship complete with all parts and arrive undamaged. However, should your unit contain missing or damaged parts, please contact your purchase location.