

PACKING TABLE

Tennsco Corp., Dickson, TN 37056-1888 • (615) 446-8000

**RETAIN INSTRUCTIONS FOR FUTURE REFERENCE!
READ INSTRUCTIONS CAREFULLY BEFORE ATTEMPTING
TO ASSEMBLE THE PACKING TABLE**



Description

Rugged construction makes these PACKING TABLES ideally suited for factories, shops, garages, labs, etc. Units are shipped unassembled. The adjustable height legs have all welded steel construction with punched holes for attaching stringer and lower shelf. Duplex knock-outs are punched in each leg to receive a steel city electrical box, model #CDOW (2.5" X 2" X 3").

Specifications

Overall Dimensions

| | |
|--------|------------------------------|
| H-1128 | 48W X 30D X 29 1/2 - 36 1/2H |
| H-1135 | 60W X 30D X 29 1/2 - 36 1/2H |
| H-1136 | 60W X 36D X 29 1/2 - 36 1/2H |
| H-1137 | 72W X 30D X 29 1/2 - 36 1/2H |
| H-1138 | 72W X 36D X 29 1/2 - 36 1/2H |

GENERAL SAFETY INFORMATION

Some parts may have sharp edges. CARE must be taken when handling various pieces to avoid injury. For safety, wear a pair of work gloves when assembling or performing any maintenance on packing table.

LIMITED WARRANTY

Tennsco warrants goods purchased hereunder to be free of defects in materials and workmanship for a period of one (1) year from the date of shipment, hereunder. This warranty shall not apply in the event goods are damaged as a result of misuse, abuse, neglect, accident, improper application, modification or repair by persons not authorized by Seller, where goods are damaged during shipment, or where the date stamps on the goods have been defaced, modified or removed. UNLESS CONSIDERED UNENFORCEABLE OR UNLAWFUL UNDER APPLICABLE LAW:

- ALL IMPLIED WARRANTIES, INCLUDING BUT NOT LIMITED TO WARRANTIES OR MERCHANTABILITY AND FITNESS FOR A PARTICULAR PURPOSE ARE HEREBY EXCLUDED:
- BUYERS REMEDY, IF ANY, FOR ANY DEFECTIVE GOODS SHALL BE LIMITED TO A REFUND BY SELLER OR REPLACEMENT OF THE GOODS AT SELLER'S OPTION, AND SHALL IN NO EVENT INCLUDE DAMAGES OF ANY KIND, WHETHER INCIDENTAL, CONSEQUENTIAL OR OTHERWISE.

NO GOODS ACCEPTED FOR RETURN WITHOUT PRIOR APPROVAL. Seller shall have the right to inspect any goods claimed to be defective at Buyers place of business or require Buyer to return the goods to Seller for inspection on Seller's premises. Transportation charges covering returned goods will be borne by Seller only if such goods are proven to be defective, are covered by this warranty and are returned within the warranty period stated above.

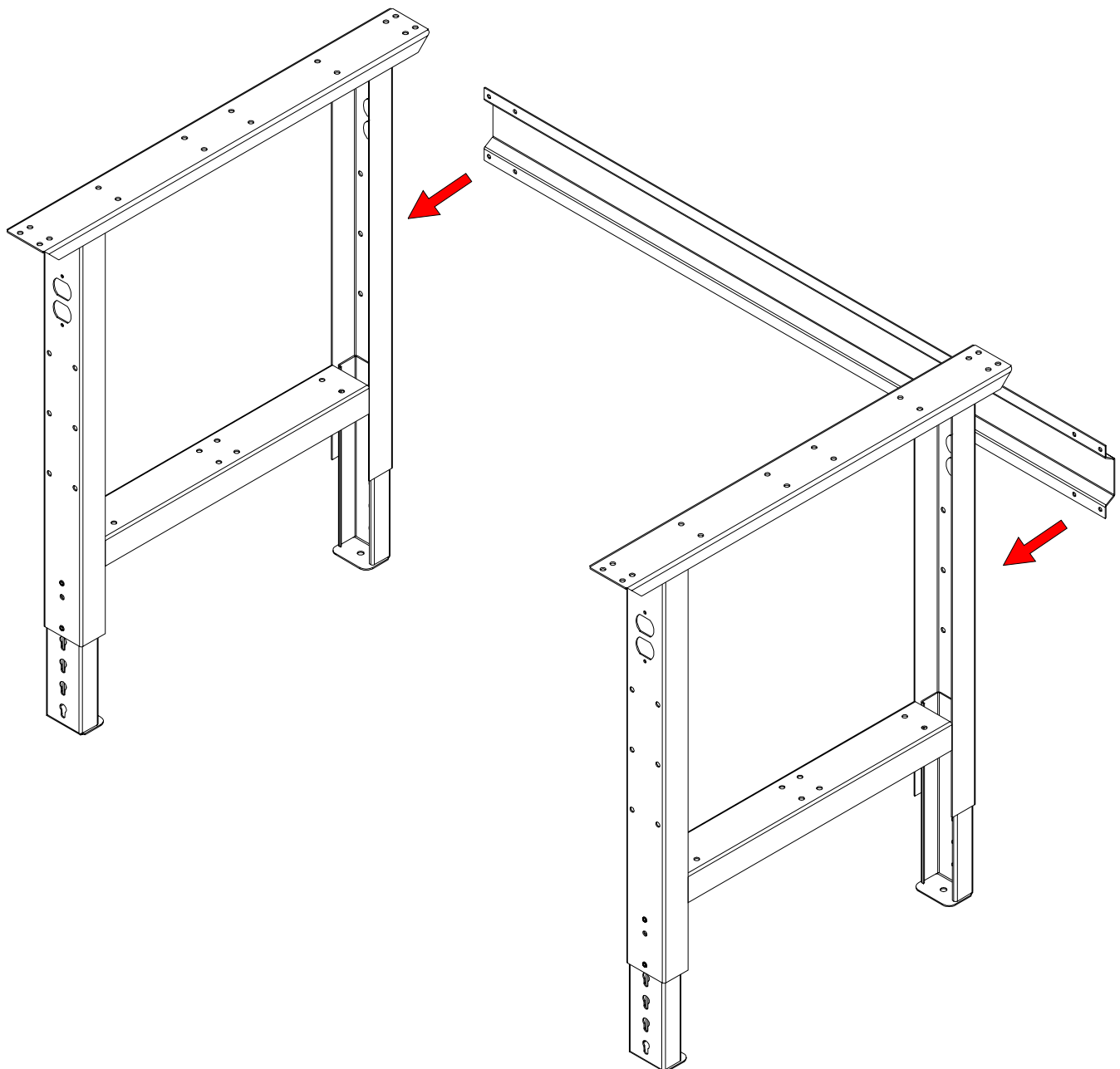
STEP 1) Place legs (1) in upright position. Legs should be placed approximately 41" apart for 48" units, 53" apart for 60" units and 65" apart for 72" units.

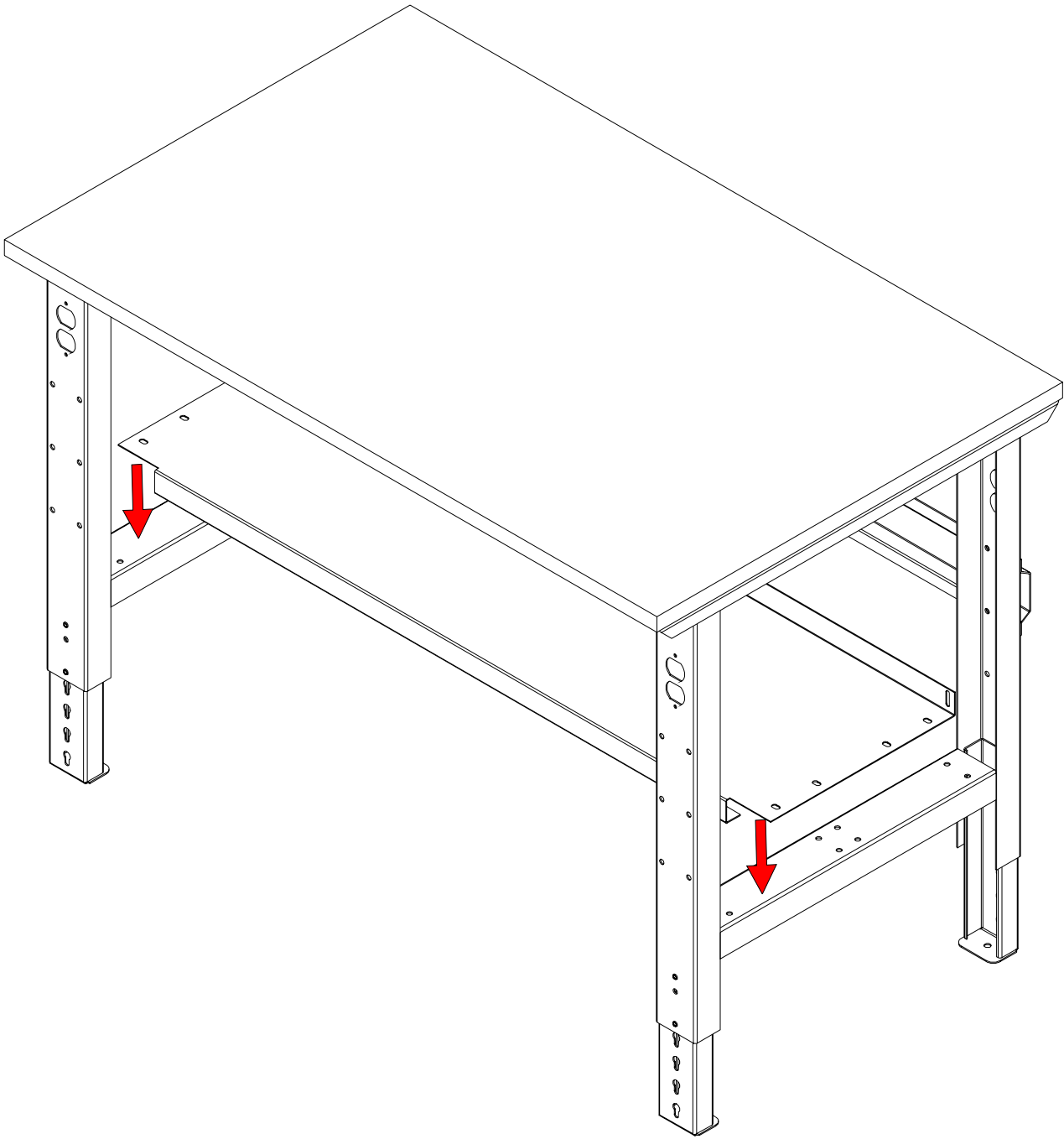
STEP 2) Attach stringer (4) to bench legs using center four holes in back legs. Fasten with eight bolts, washers and nuts.

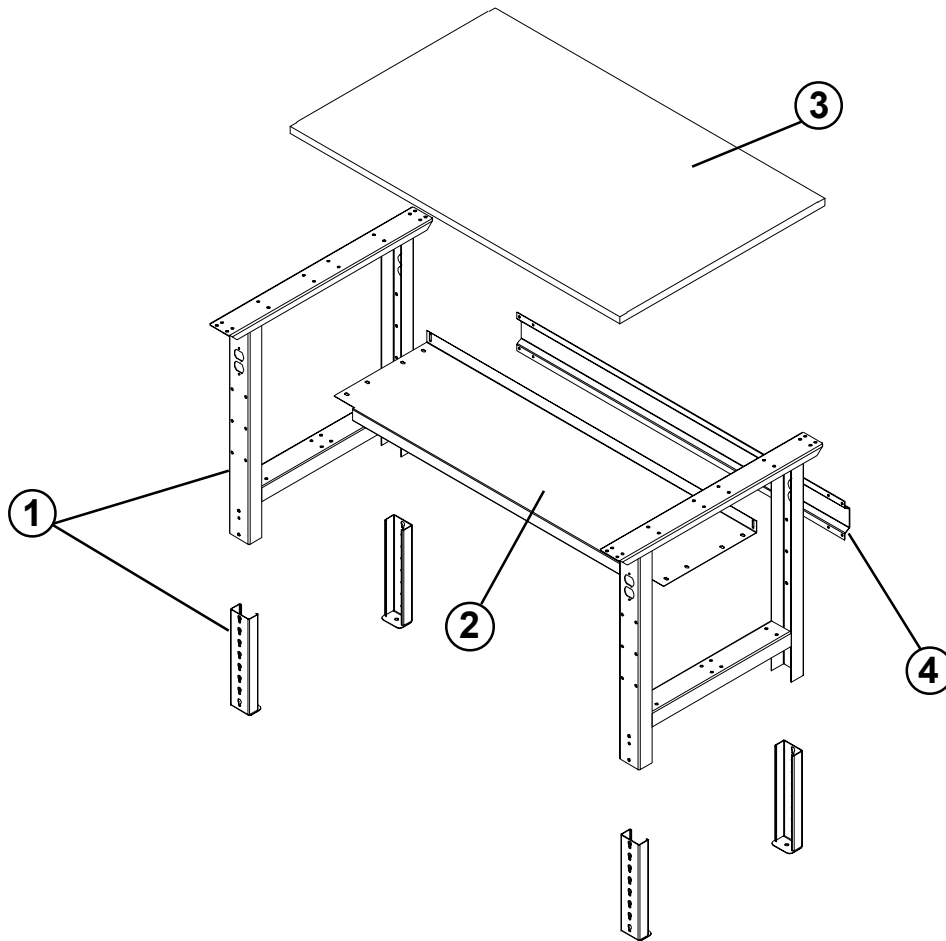
STEP 3) With top laying on it's face, flip frame assembly over and attach bench top (3) to frame assembly.

STEP 4) Set bench assembly upright and recheck all nuts, bolts, and screws for tightness.

STEP 5) Place lower shelf (2) across braces of legs. Attach shelf using four nuts and bolts to the cross brace on the leg.







PART LIST FOR PACKING TABLE

| REF. NO. | DESCRIPTION | QUANTITY |
|----------|----------------------------|----------|
| 1 | Leg H-1128, H-1135, H-1137 | 2 |
| | Leg H-1136, H-1138 | 2 |
| 2 | Shelf S-ww* | 1 |
| 3 | Table Top PBT-wwdd** | 1 |
| 4 | Stringer WBS-ww | 1 |
| | 1/4-20 x 5/8 --- Bolt | 14 |
| | 1/4-20 --- Nut | 14 |
| | #14 -3/4 --- Wood Screw | 24 |

* Part No. is composed of prefix shown plus combination of unit width = ww.

** Part No. is composed of prefix shown plus combination of unit width = ww and depth = dd.

We make every effort to ensure that all units ship complete and arrive undamaged. However, should your unit contain missing or damaged parts, replacements may be obtained directly from us. To obtain proper replacement parts, follow the instructions below, or fill out the form at www.tennsco.com/partsorder.html.

TO OBTAIN PROPER REPLACEMENT PARTS, PLEASE PROVIDE THE FOLLOWING INFORMATION:

- Model Number
- Purchase Date
- Description of part(s) needed and part number(s) as shown in Parts List (above)
- Your company name
- Color (i.e. Medium Grey, Sand, etc.)
- Contact person's name
- Was item missing, or was it damaged?
- Company the product was purchased from

Tennsco Corp., P.O. Box 1888, Dickson, TN 37056-1888 E-mail address: info@tennsco.com

Customer Service: (866) 446-8686 Fax: (866) 445-7260

If requesting parts by telephone, ask for customer service and have as much of the above information ready as possible.