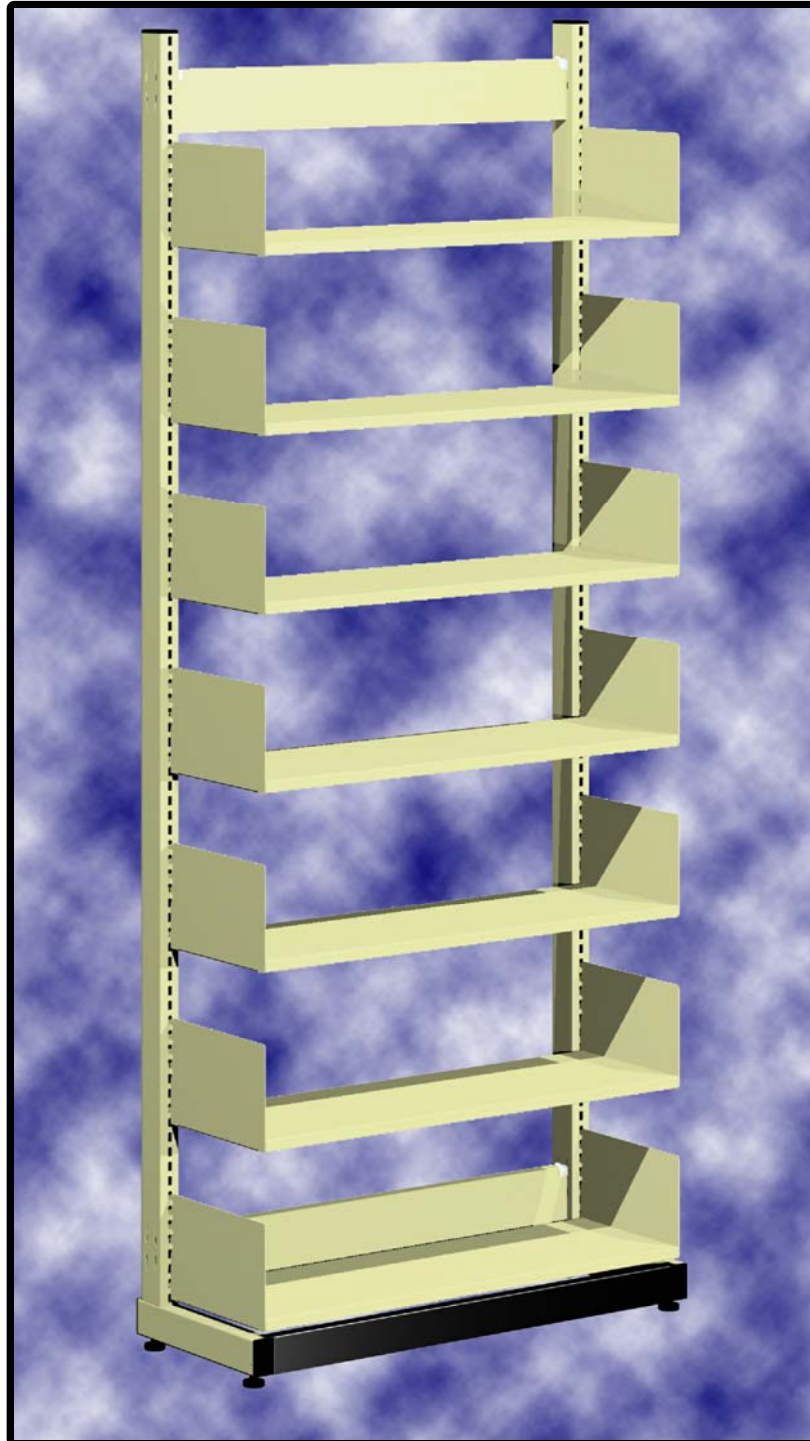


ESTEY

DESIGNER SERIES SHELVING



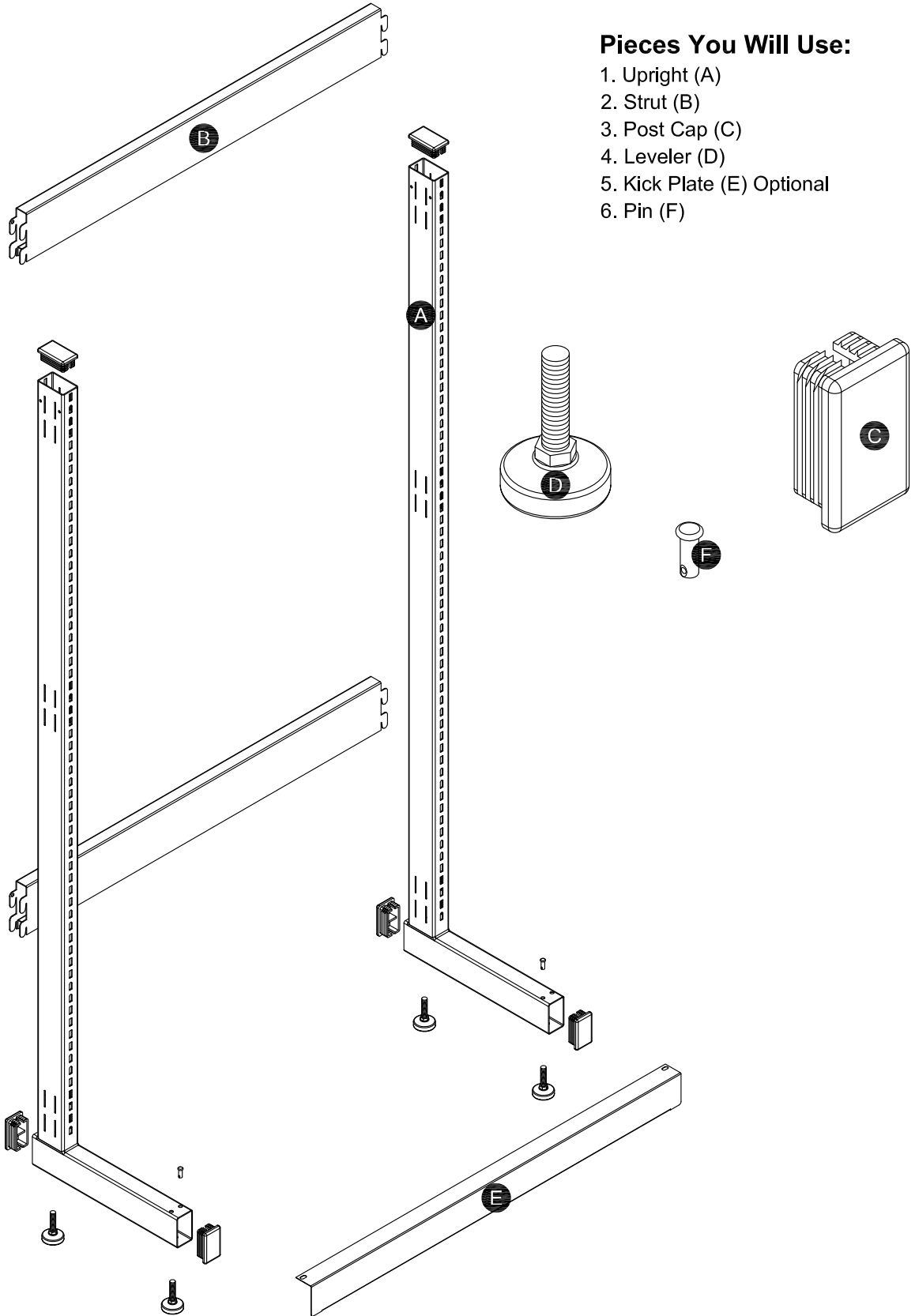
Base Unit Instruction Sheet

Important!

1. Read through entire instructions before attempting to assemble book stacks.
2. Check components against packing slip to ensure proper quantities were received.
3. Check closely to see that units are leveled along range length as well as depth.

ESTEY

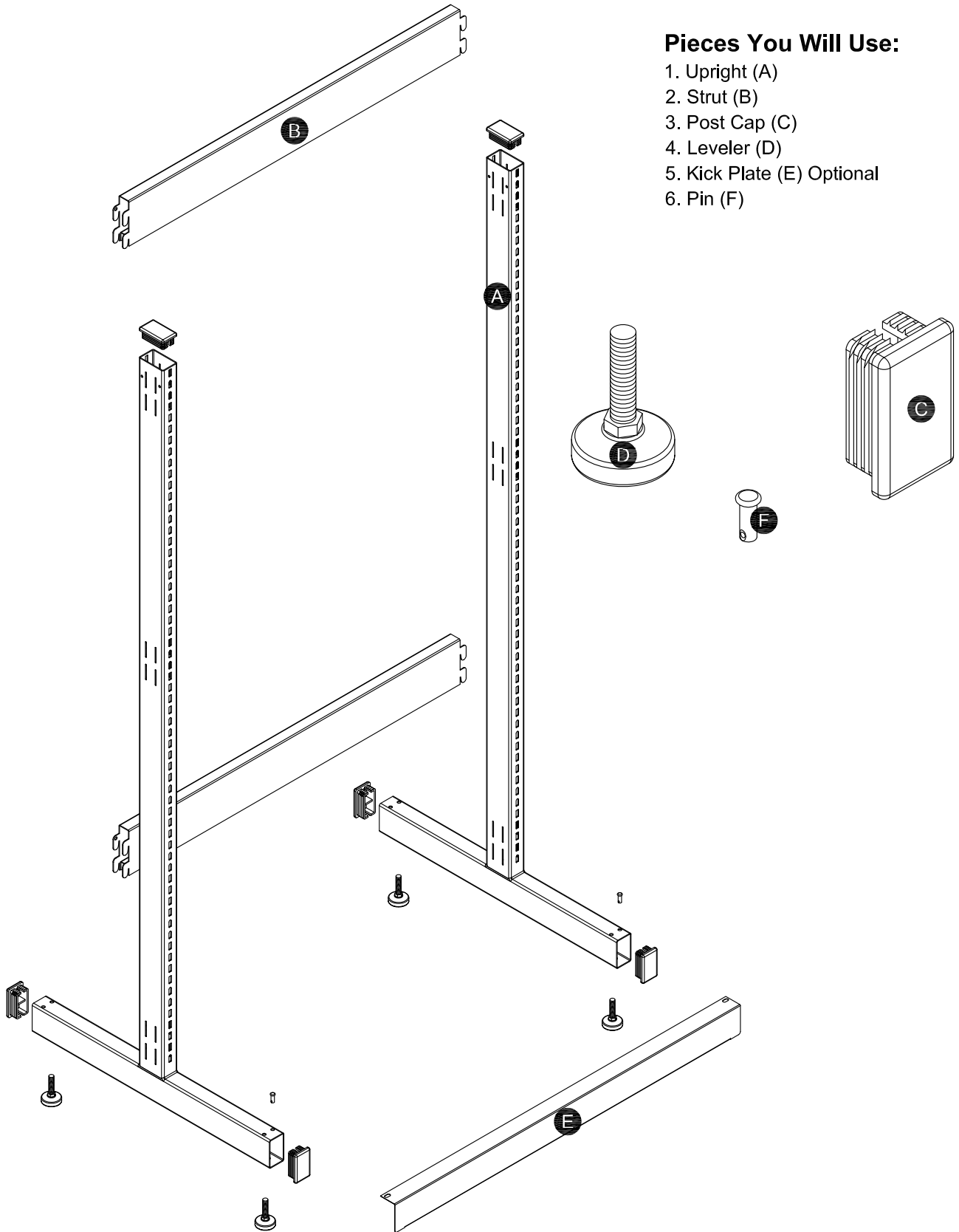
DESIGNER SERIES
SINGLE ENTRY
STARTER UNIT



Pieces You Will Use:

1. Upright (A)
2. Strut (B)
3. Post Cap (C)
4. Leveler (D)
5. Kick Plate (E) Optional
6. Pin (F)

DESIGNER SERIES
DOUBLE ENTRY
STARTER UNIT

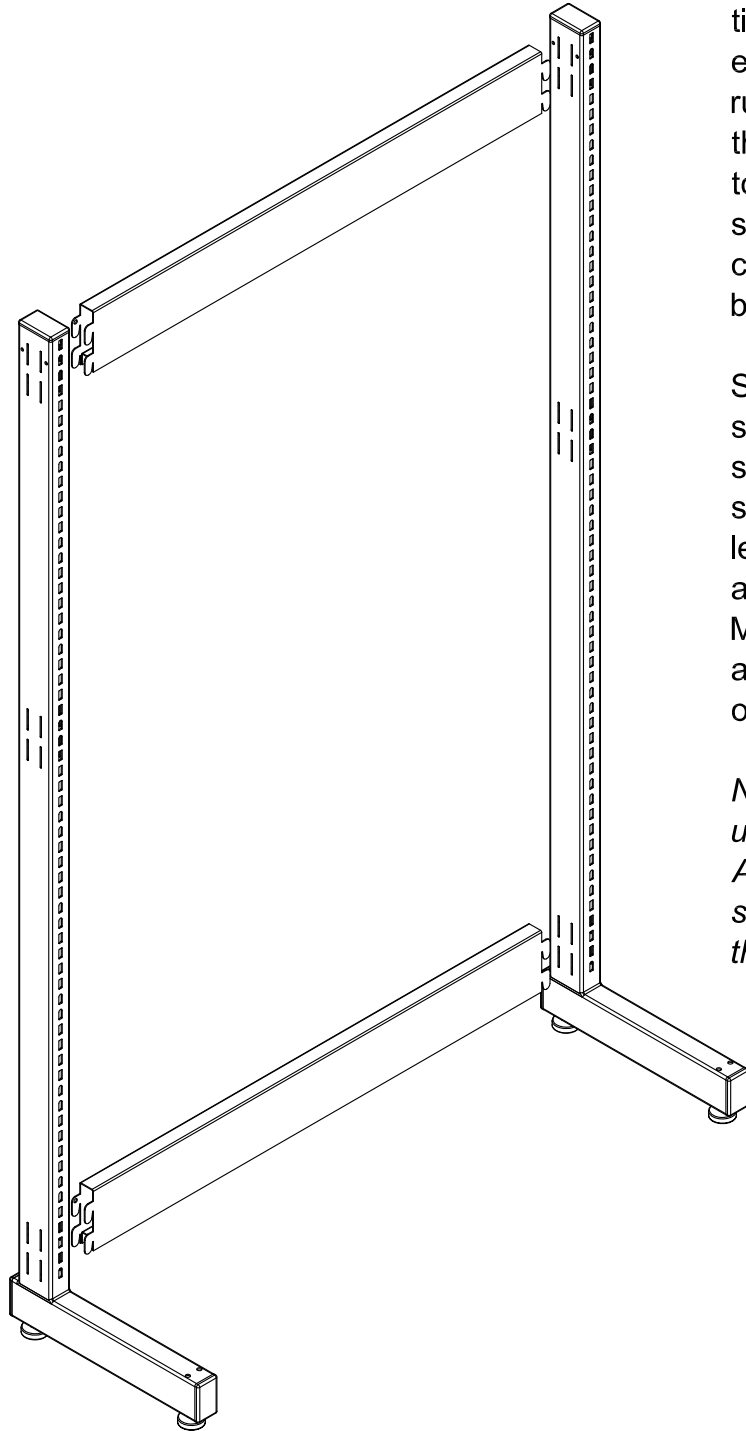


Pieces You Will Use:

1. Upright (A)
2. Strut (B)
3. Post Cap (C)
4. Leveler (D)
5. Kick Plate (E) Optional
6. Pin (F)

ESTEY

DESIGNER SERIES
SINGLE ENTRY
STARTER UNIT
ASSEMBLY



Step 1. Stand upright up and attach the two struts as shown. The fit will be tight. Once the strut is in each set of slots, use a rubber hammer to strike the top of each spreader to set it firmly into the slots. When installed correctly the top tabs will be flared out slightly.

Step 2. Once the unit is standing and struts are secure, adjust the levelers so that each upright is level and plumb with the adjacent unit and the floor. Make sure that all rows are straight and parallel to other rows.

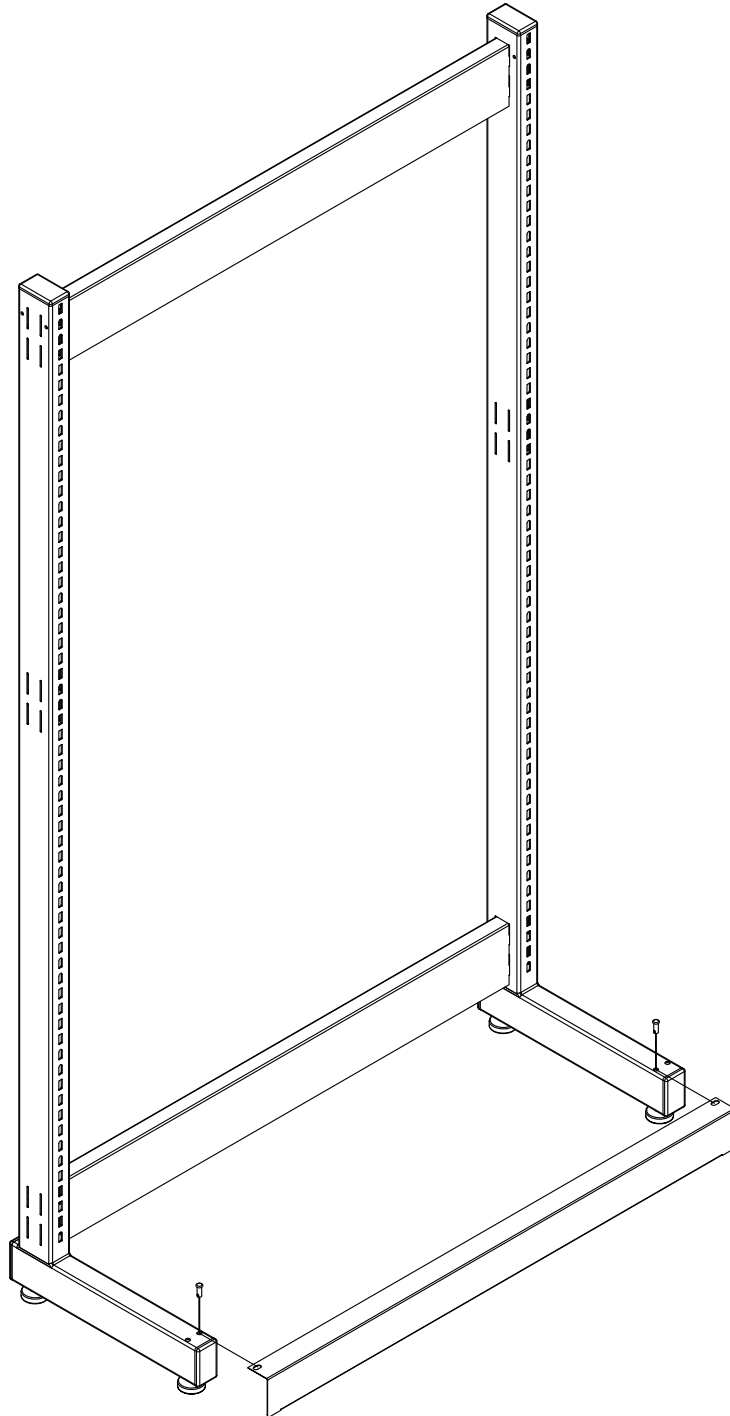
Note: For Add-on units repeat steps 1 and 2. Add-on units will share an upright with the adjacent unit.

DESIGNER SERIES
SINGLE ENTRY
STARTER UNIT
ASSEMBLY

Note: If you are using Kick Plates read the next step, if not skip to Step 4.

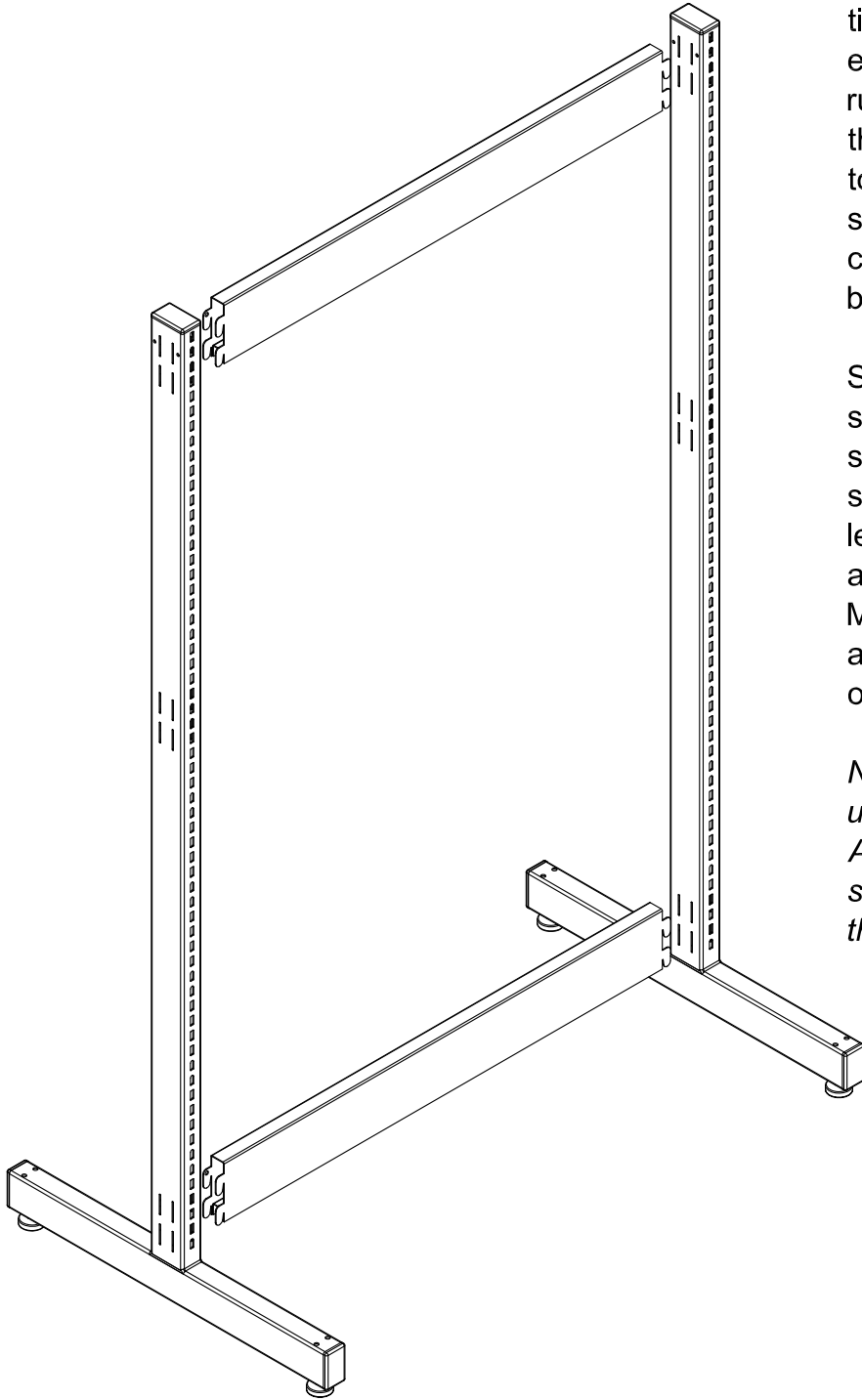
Step 3. Place the kick plates on the front base of each unit. The top flange will rest on the foot of the upright. Using the pins provided, attach the kick plates as shown below.

Note: Kick plates are optional and are not shipped unless ordered separately.



ESTEY

DESIGNER SERIES
DOUBLE ENTRY
STARTER UNIT
ASSEMBLY



Step 1. Stand upright up and attach the two struts as shown. The fit will be tight. Once the strut is in each set of slots, use a rubber hammer to strike the top of each spreader to set it firmly into the slots. When installed correctly the top tabs will be flared out slightly.

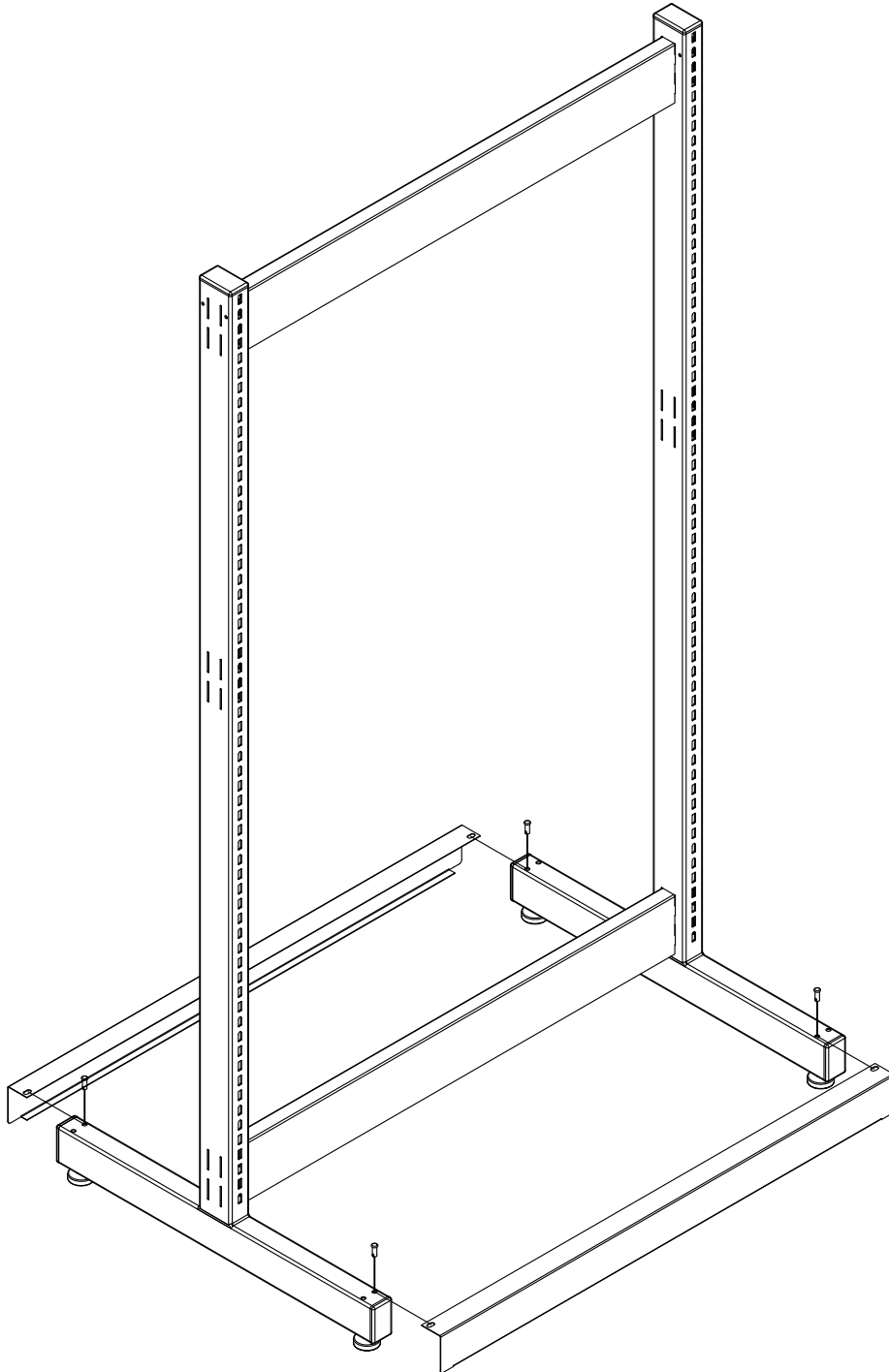
Step 2. Once the unit is standing and struts are secure, adjust the levelers so that each upright is level and plumb with the adjacent unit and the floor. Make sure that all rows are straight and parallel to other rows.

Note: For Add-on units repeat steps 1 and 2. Add-on units will share an upright with the adjacent unit.

DESIGNER SERIES
DOUBLE ENTRY
STARTER UNIT
ASSEMBLY

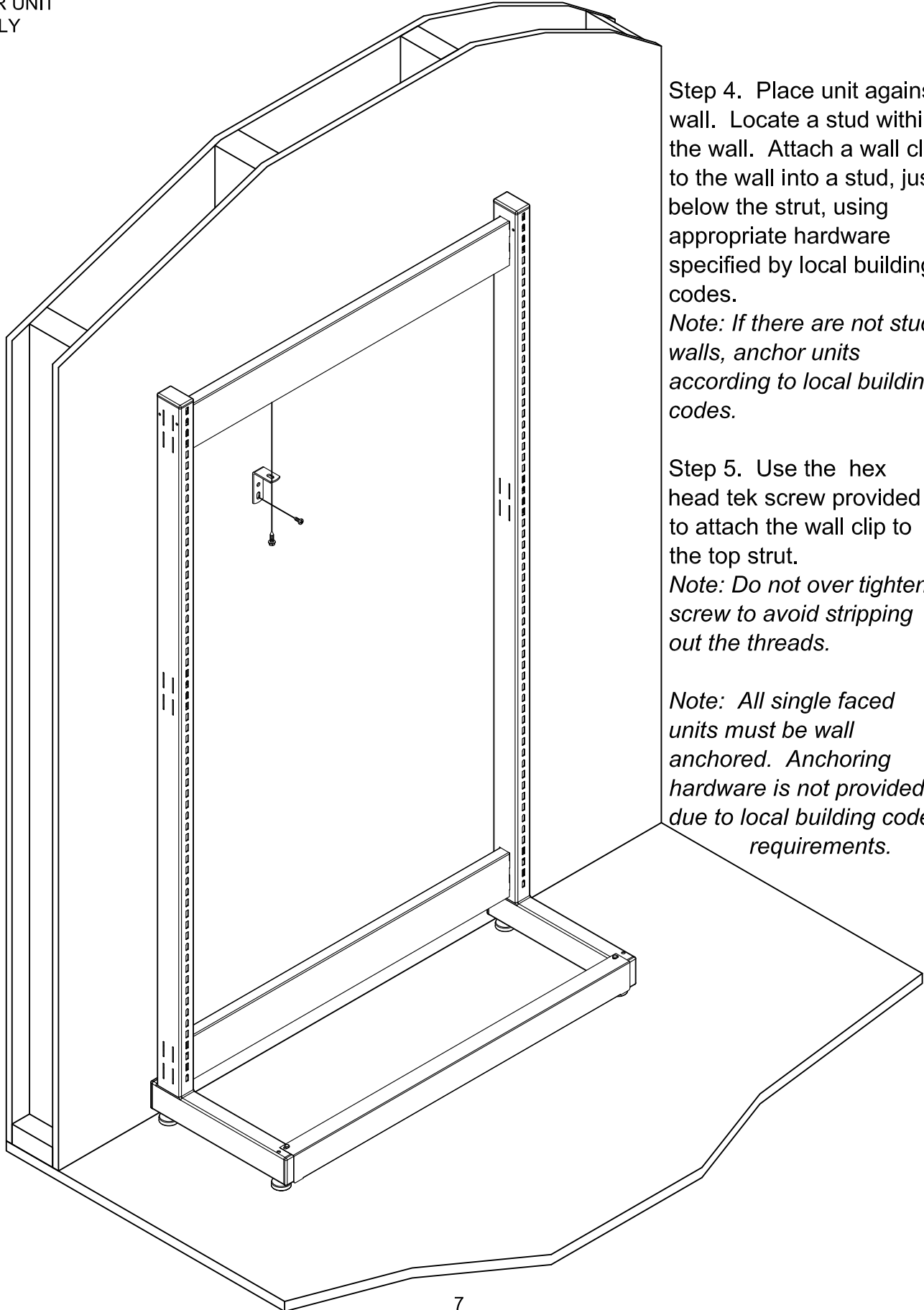
Note: If you are using Kick Plates read the next step, if not skip to Step 6.

Step 3. Place the kick plates on the front base of each unit. The top flange will rest on the foot of the upright. Using the pins provided, attach the kick plates as shown below.
Note: Kick plates are optional and are not shipped unless ordered separately.



ESTEY

DESIGNER SERIES
SINGLE ENTRY
STARTER UNIT
ASSEMBLY



Step 4. Place unit against wall. Locate a stud within the wall. Attach a wall clip to the wall into a stud, just below the strut, using appropriate hardware specified by local building codes.

Note: If there are not stud walls, anchor units according to local building codes.

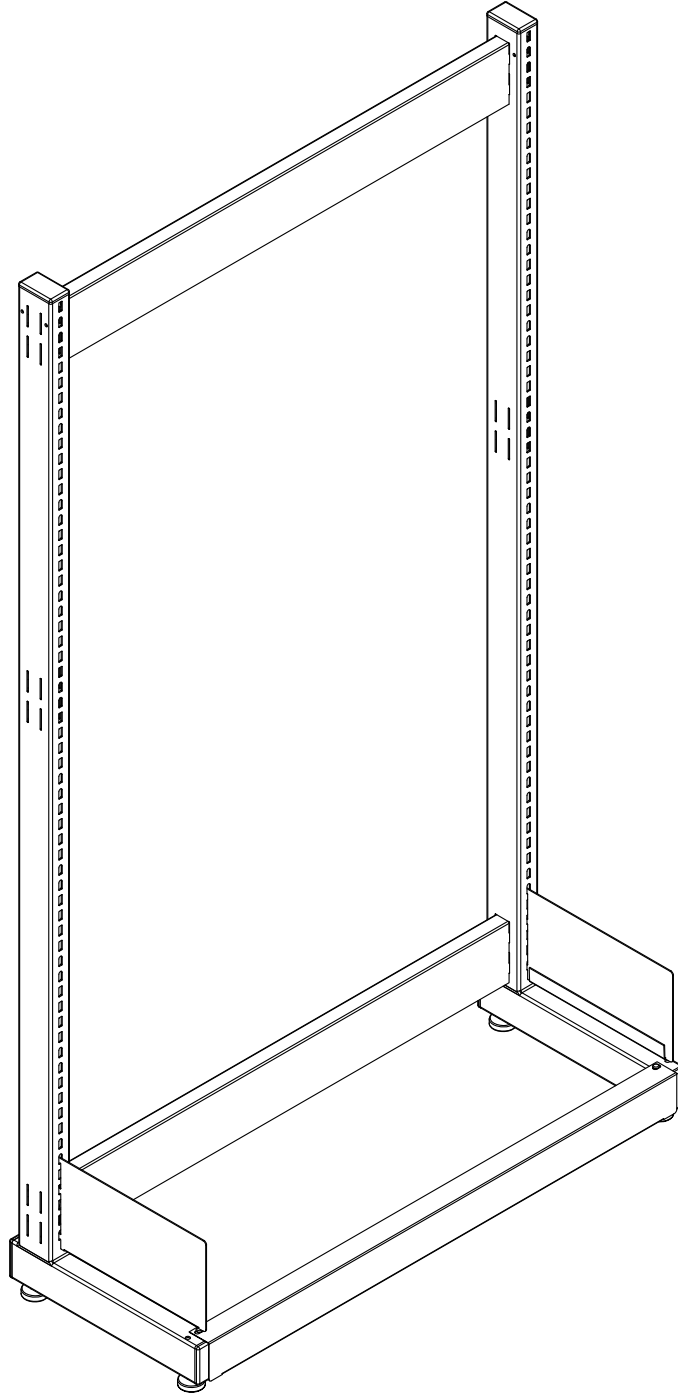
Step 5. Use the hex head tek screw provided to attach the wall clip to the top strut.

Note: Do not over tighten screw to avoid stripping out the threads.

Note: All single faced units must be wall anchored. Anchoring hardware is not provided due to local building code requirements.

DESIGNER SERIES
SINGLE ENTRY
STARTER UNIT
ASSEMBLY

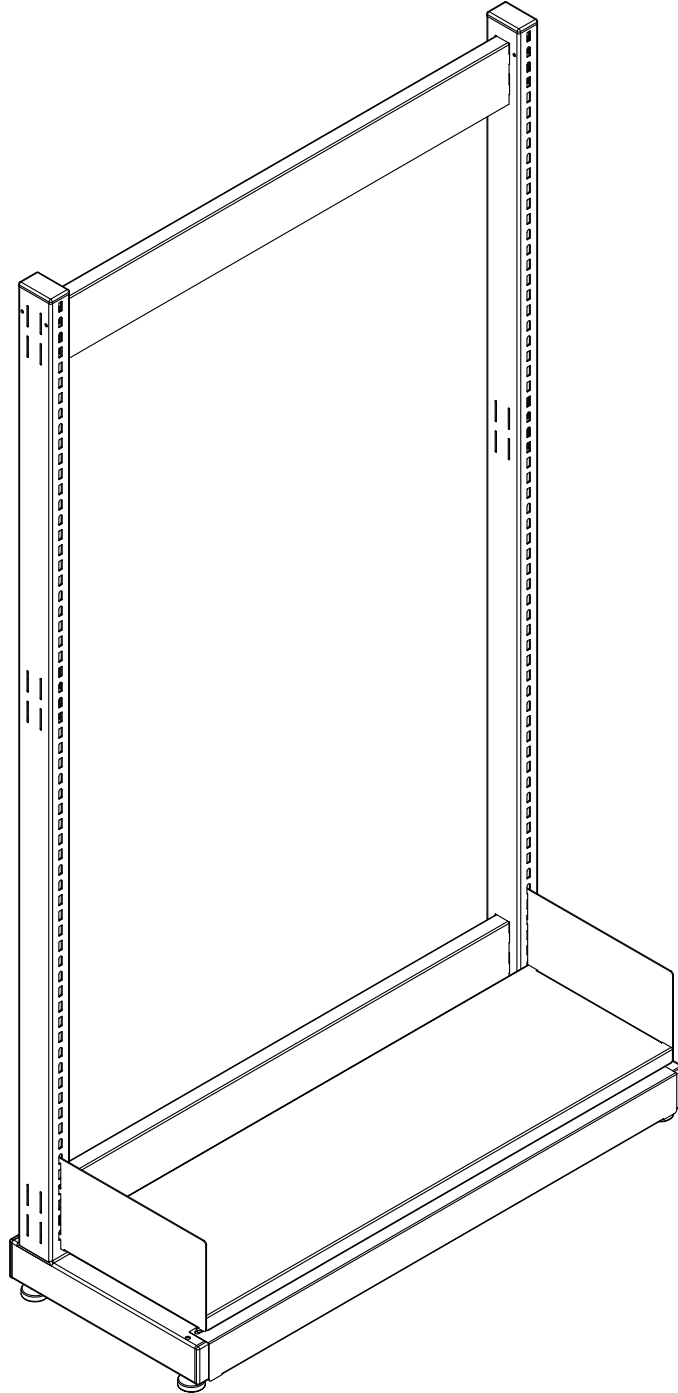
Step 6. There are left hand and right hand brackets. Hang each bracket on the upright with the tabs to the inside of the frame.



ESTEY

DESIGNER SERIES
SINGLE ENTRY
STARTER UNIT
ASSEMBLY

Step 7. Using the side tabs on the shelf , place the shelf on the brackets making sure the tabs on the shelf are seated properly on the tabs of the brackets. Repeat steps 6 and 7 for each shelf level of the unit.



DESIGNER SERIES
SINGLE ENTRY
STARTER UNIT
ASSEMBLY

Final inspection: Your units should look similar to the unit illustrated.

Note: Make sure each unit is level and plumb to the floor and walls. Your final unit may differ from the one shown due to varying types of shelves.

